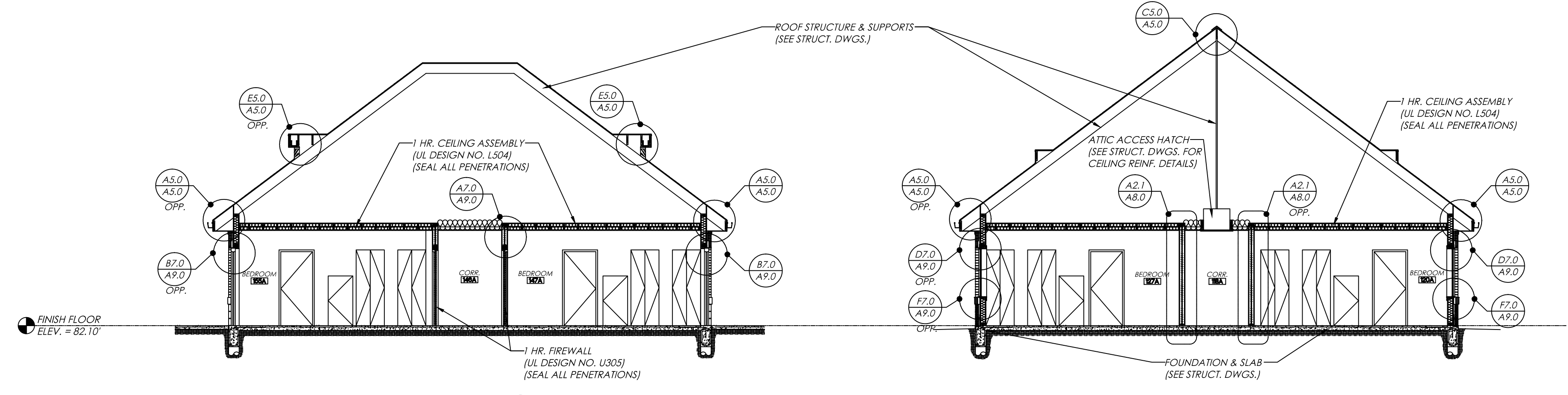
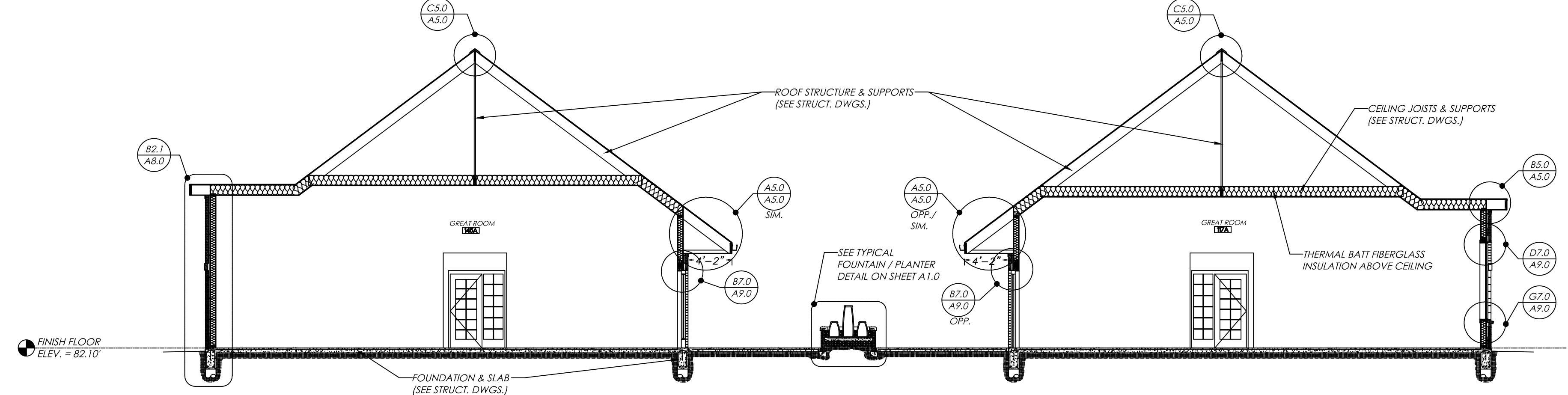


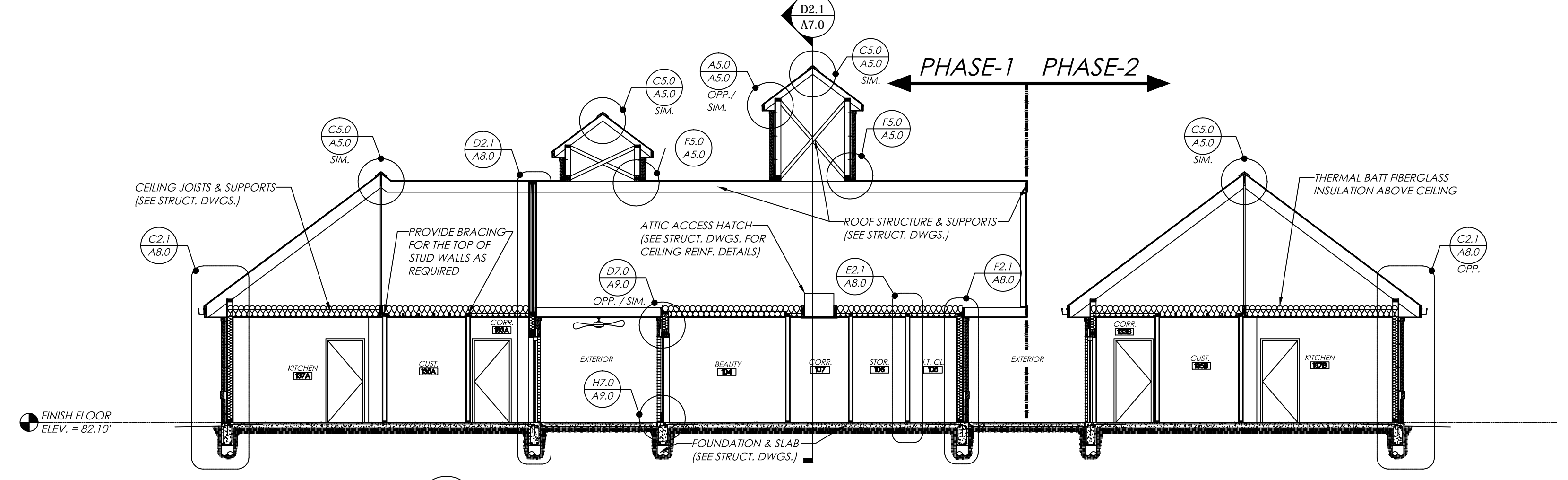
#	Date	Description
1	12.10.12	SCHEMATIC DESIGN
2	02.28.13	50% CONSTRUCTION DOCS.
3	05.30.13	CONTRACTOR SET
4	08.14.13	CONTRACTOR SET - #2
5	08.30.13	PERMIT / TDADS SETS
6	09.10.13	ACI CHANGES
7	11.25.13	TDADS COMMENTS
8	12.10.13	CITY COMMENTS
9	01.23.14	CITY COMMENTS
10	07.17.14	DOORS/WINDOWS REV.
11	08.20.14	FIRE SCREEN WALL
12	10.14.14	PERMIT SET #2
13	07.07.15	GREAT RM. MILLWORK
14	08.07.15	MILLWORK CLARIFICATION
15	08.31.15	COURTYARD REPLACEMENT



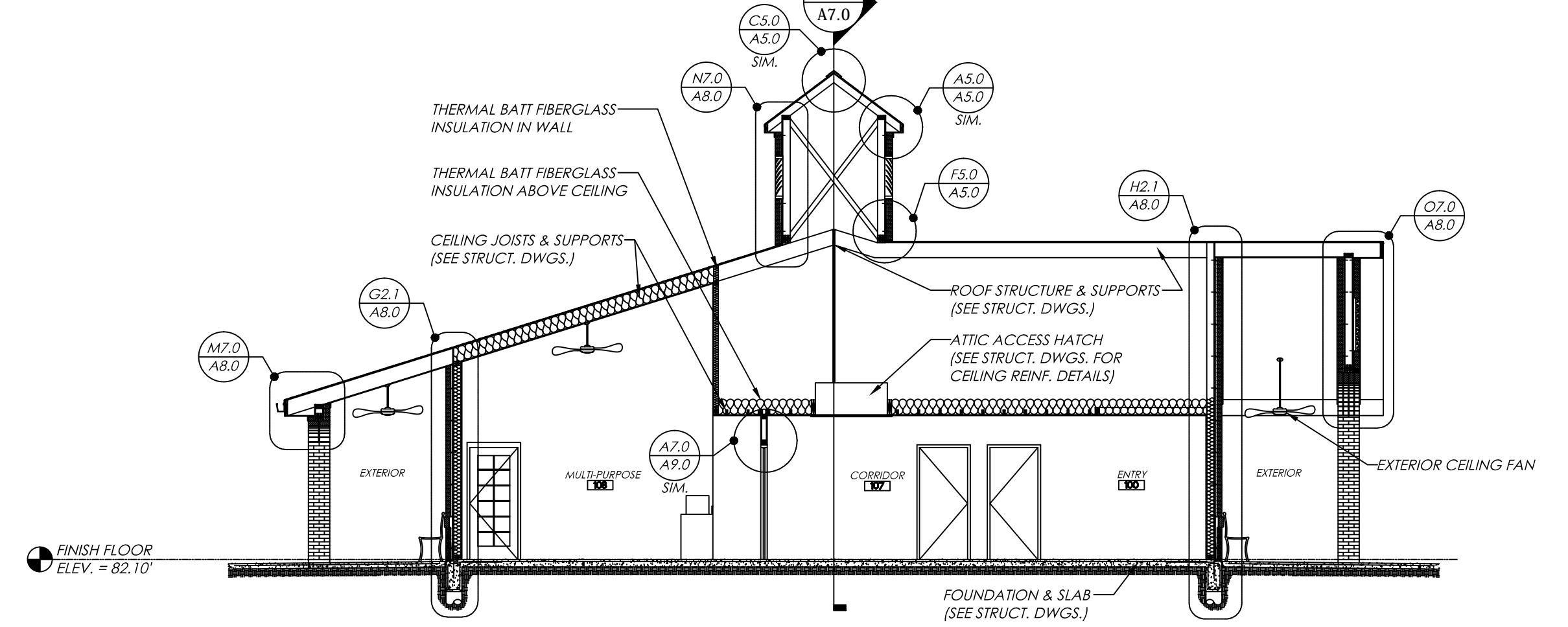
**A2.1 BUILDING SECTION - "A"**  
A7.0 SCALE: 1/8" = 1'-0"



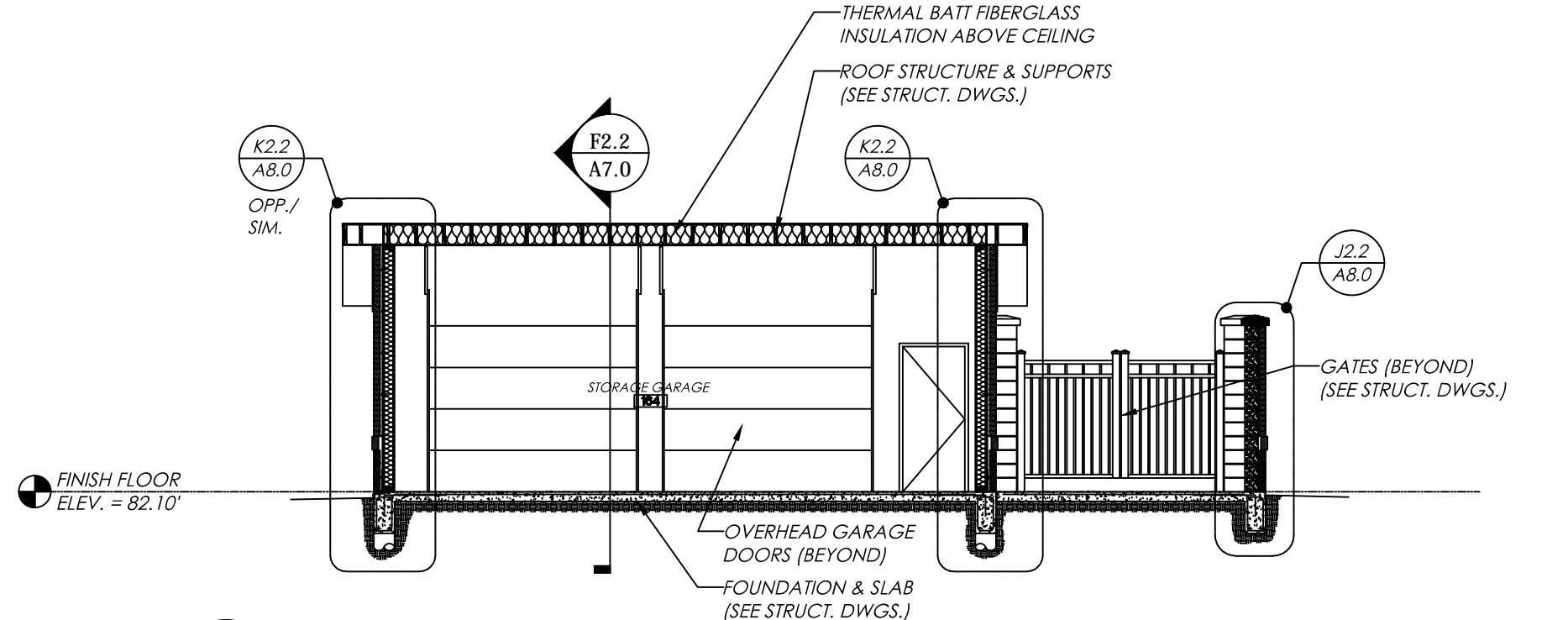
**B2.1 BUILDING SECTION - "B"**  
A7.0 SCALE: 1/8" = 1'-0"



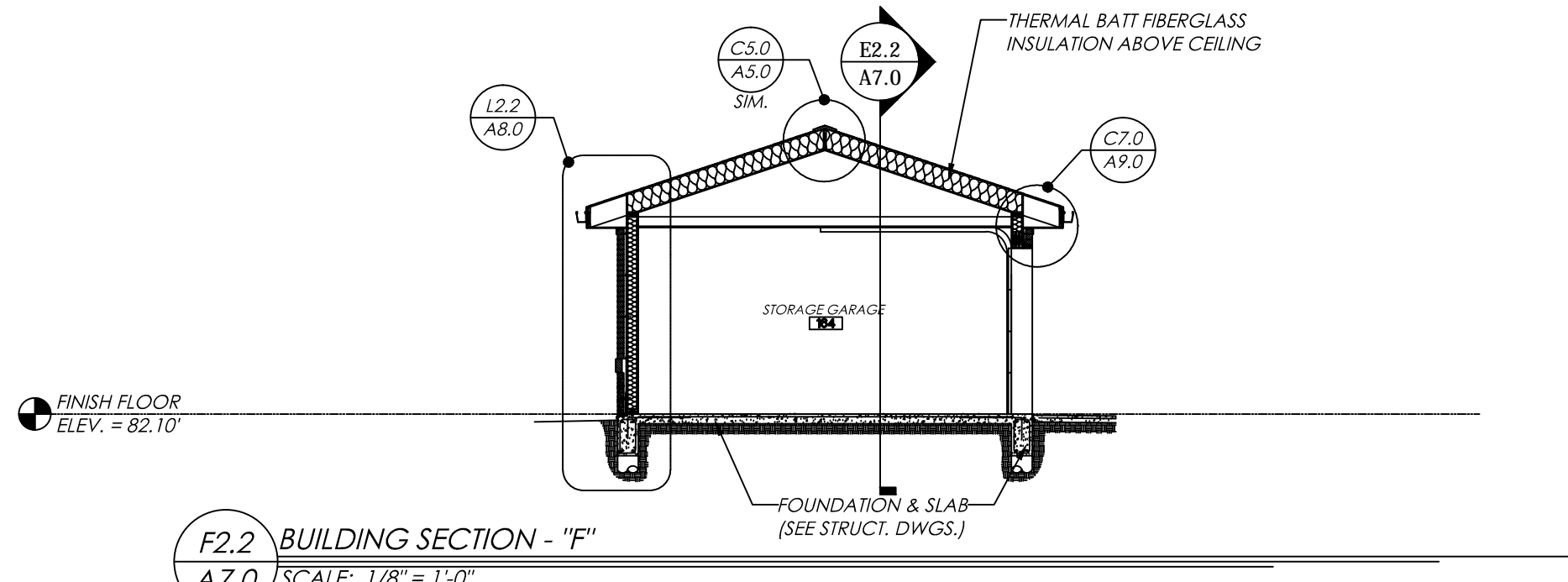
**C2.1 BUILDING SECTION - "C"**  
A7.0 SCALE: 1/8" = 1'-0"



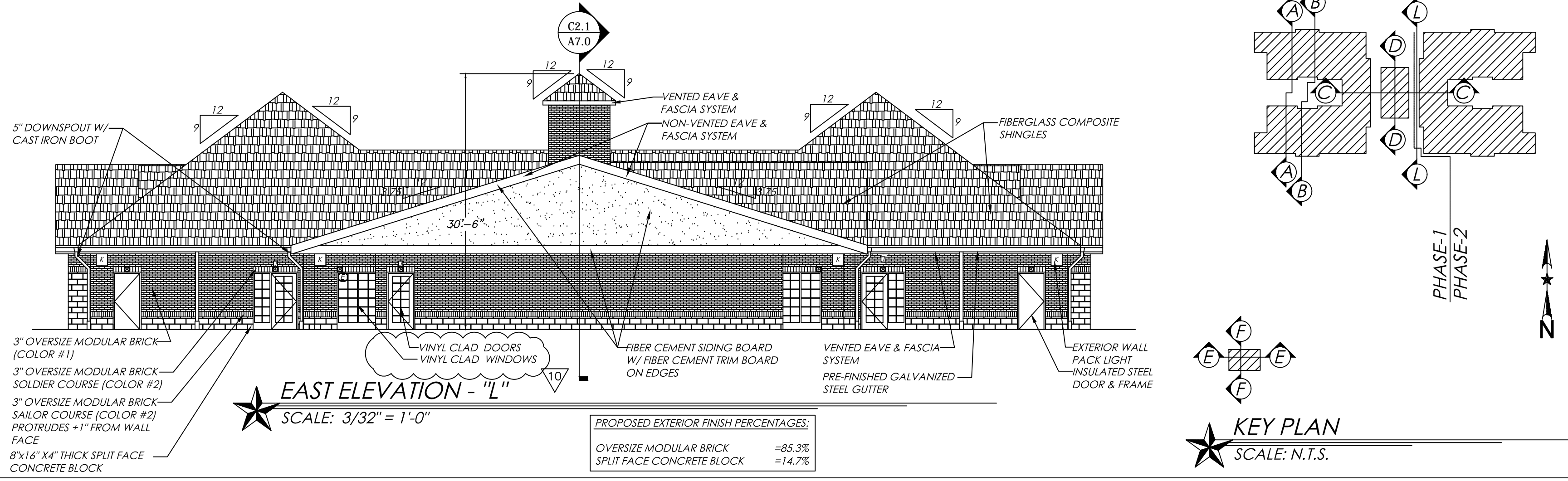
**D2.1 BUILDING SECTION - "D"**  
A7.0 SCALE: 1/8" = 1'-0"



**E2.2 BUILDING SECTION - "E"**  
A7.0 SCALE: 1/8" = 1'-0"



**F2.2 BUILDING SECTION - "F"**  
A7.0 SCALE: 1/8" = 1'-0"



Project No. 1201.31

**BUILDING SECTIONS**

Sheet No.

**A7.0**