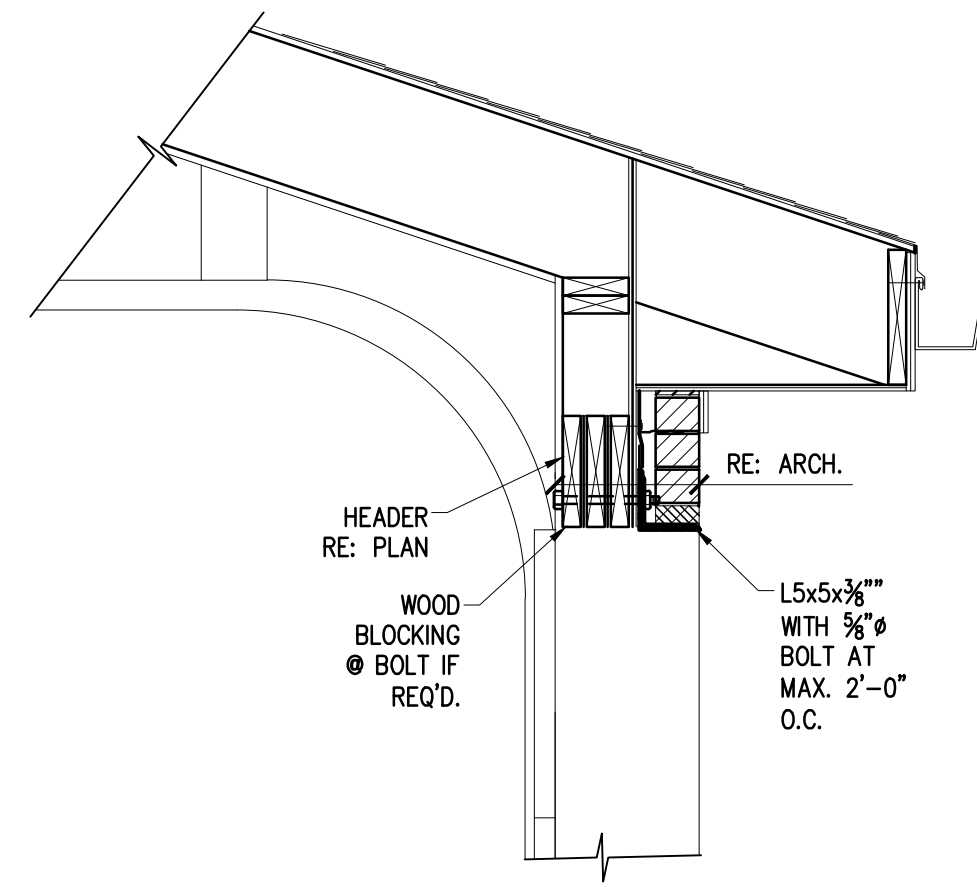
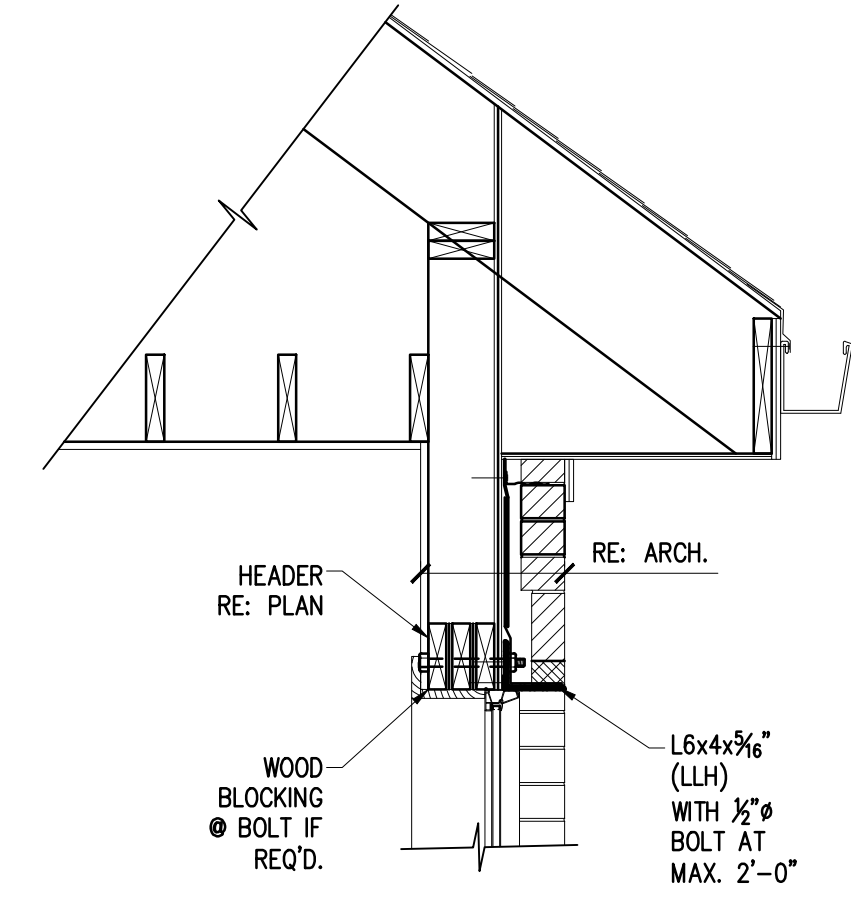


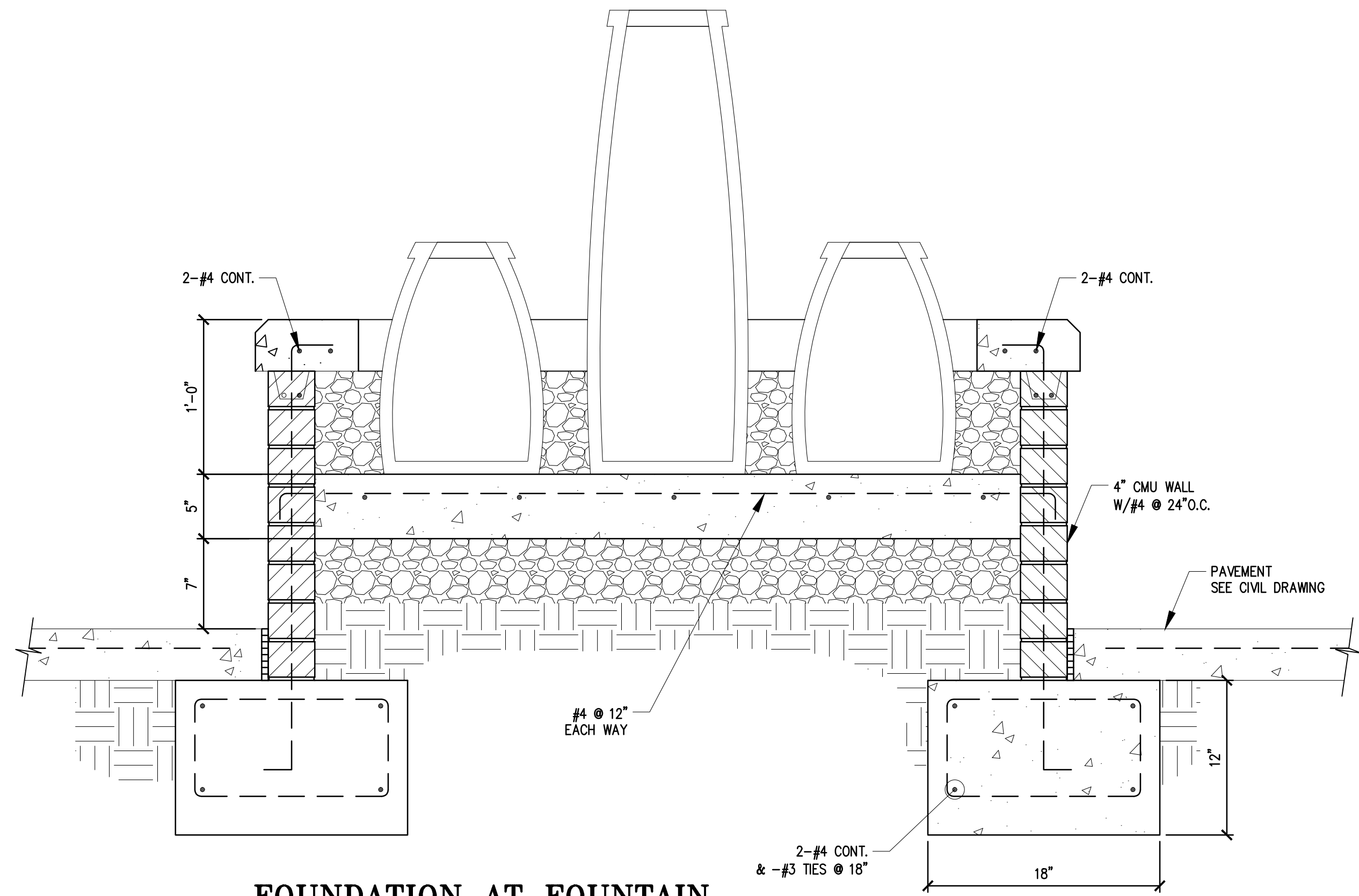
1 DETAIL: AT DOOR LINTEL



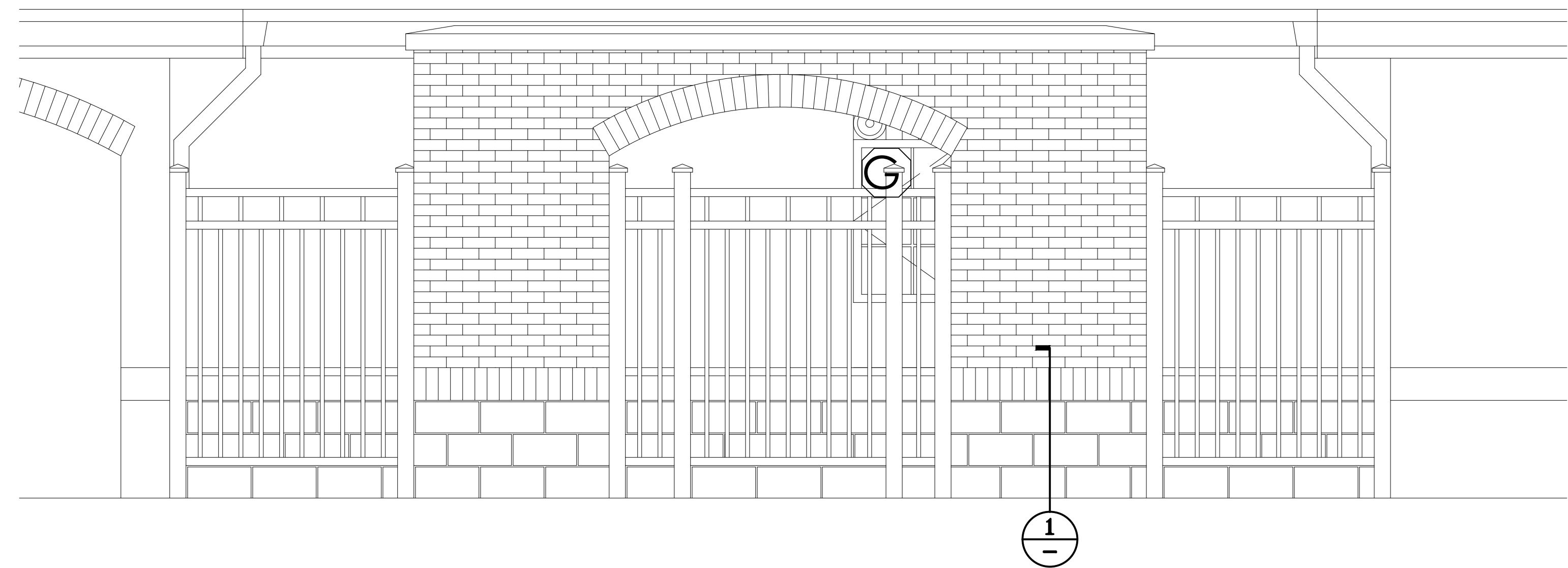
2 DETAIL: AT GARAGE LINTEL



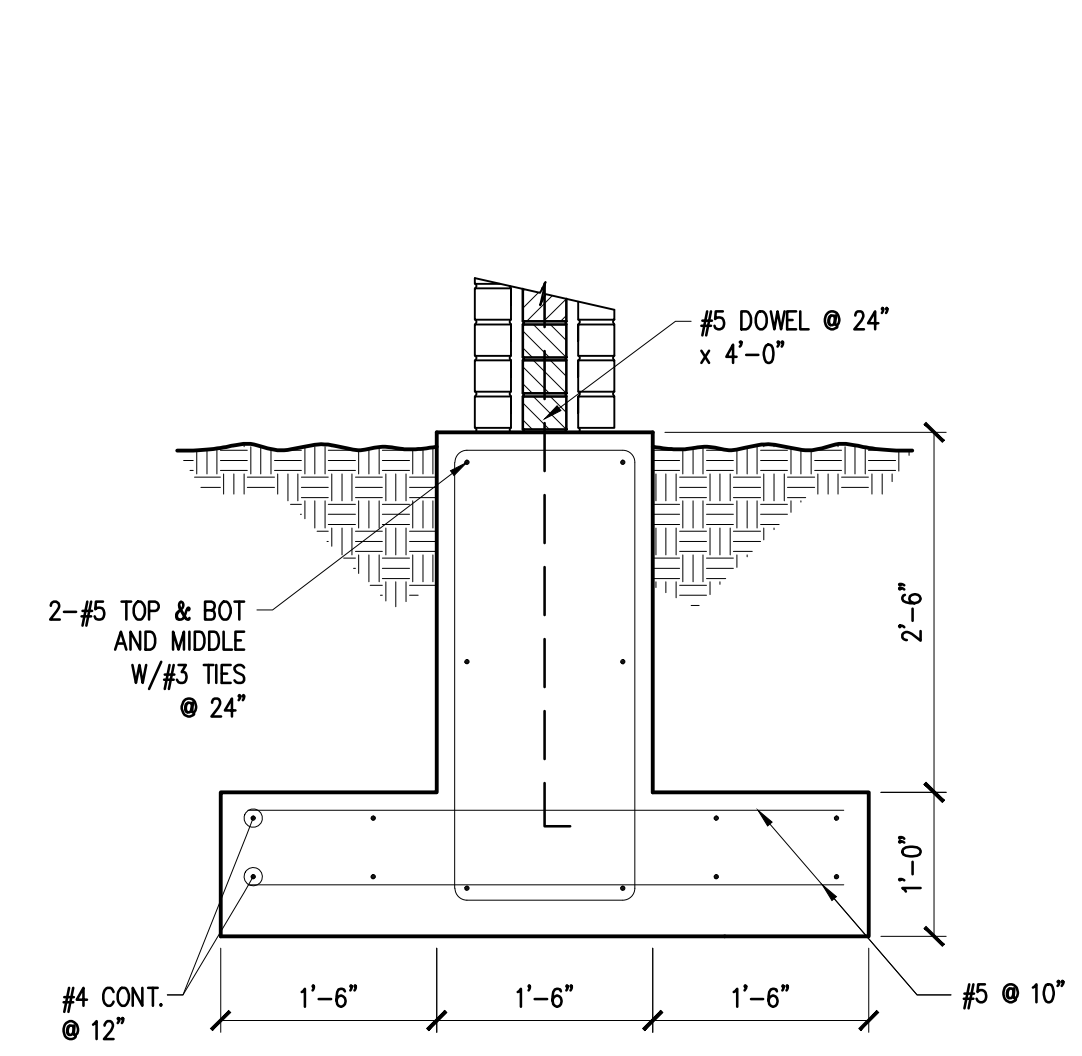
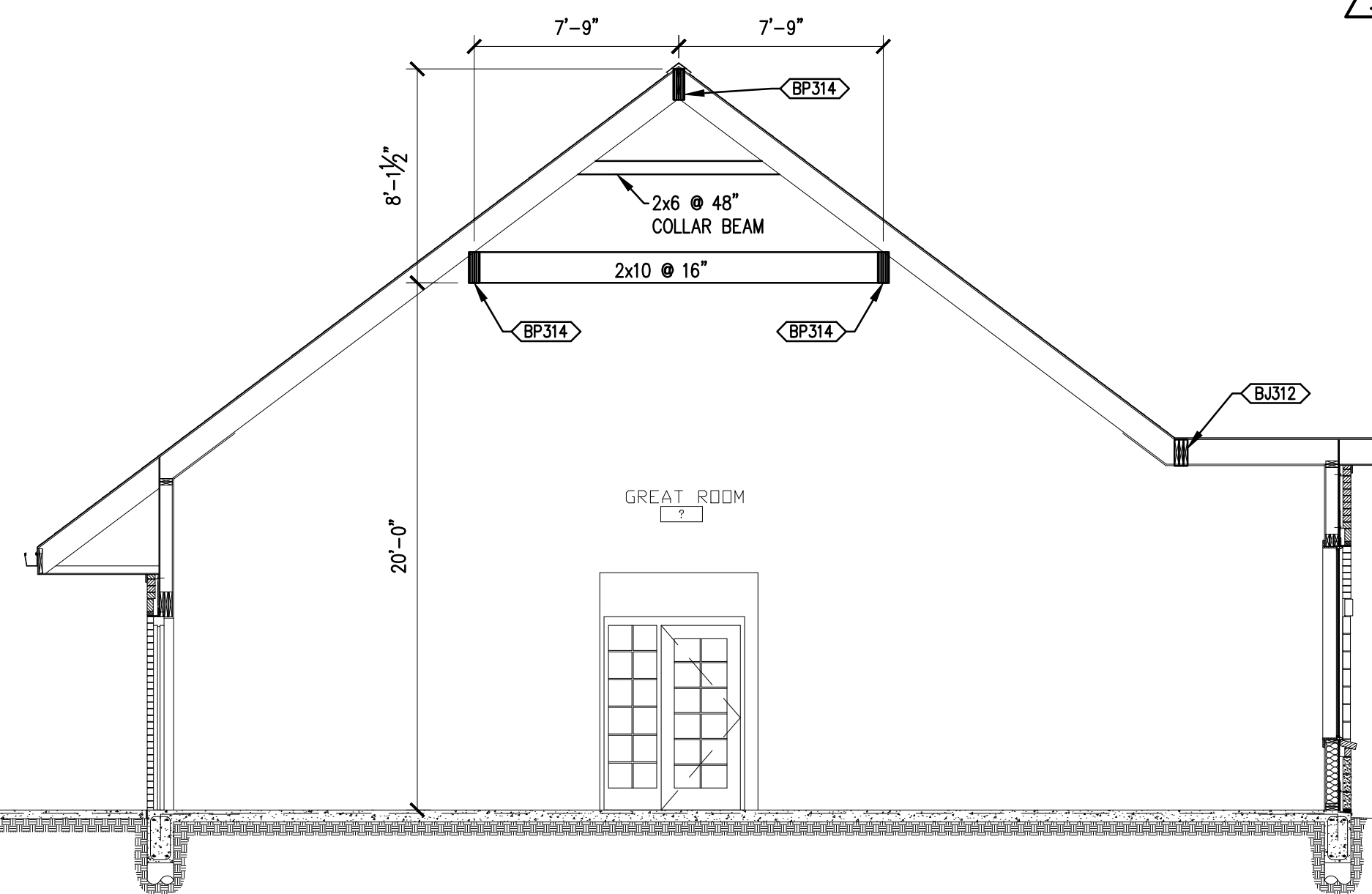
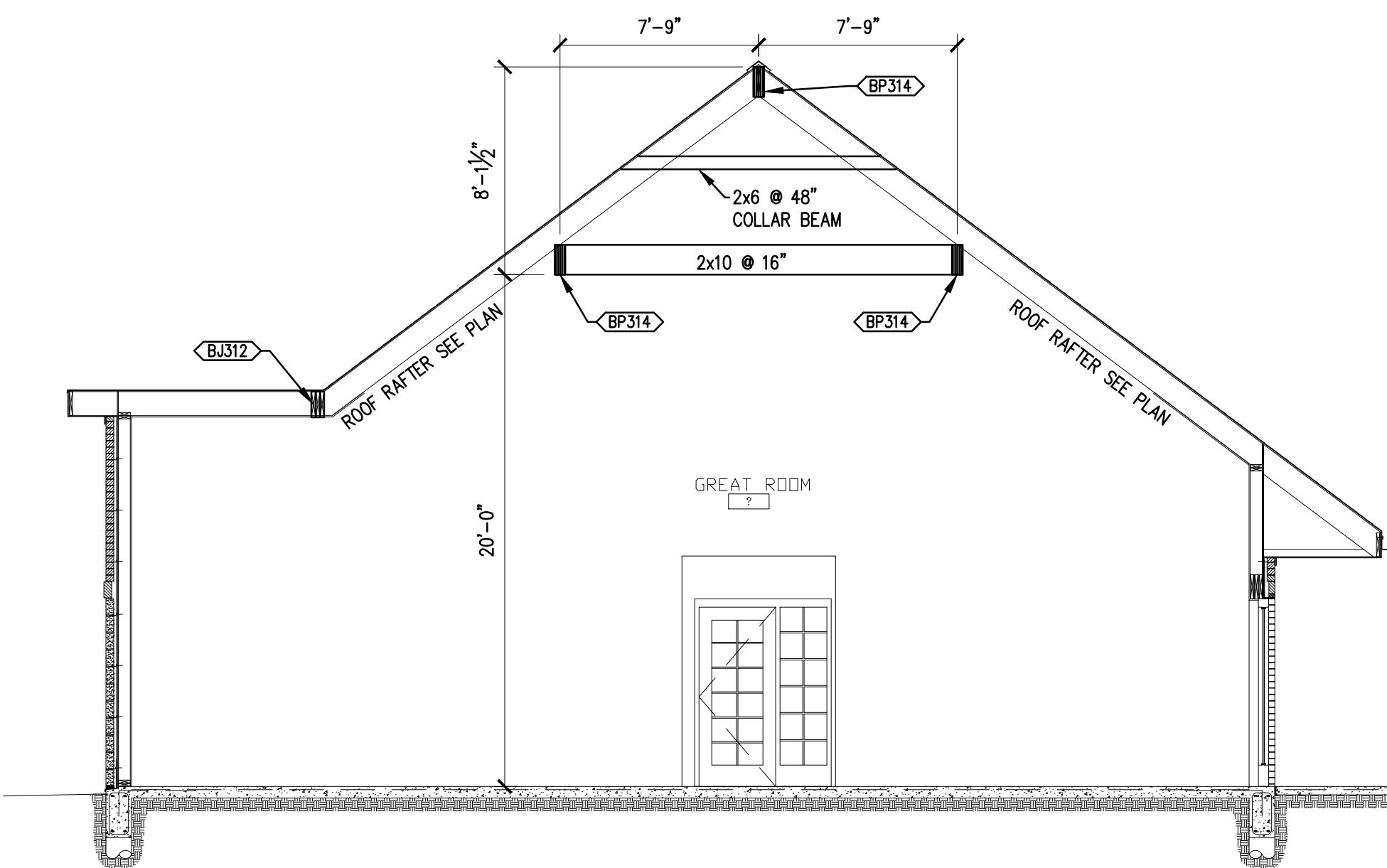
3 DETAIL: AT WINDOW LINTEL



FOUNDATION AT FOUNTAIN
SCALE: 1 1/2" = 1'-0"



GATE ENTRANCE ELEVATION/FOUNDATION
SCALE: 1 1/2" = 1'-0"



1 SECTION: GATE WALL FOUNDATION DETAIL

LINTEL
&
FOUNDATION
SECTIONS

OPTIMUM PERSONAL CARE
1110 LAKEVIEW DRIVE
SUGAR LAND, TX 77478

ISSUE HISTORY

DATE	ISSUED FOR
	CLIENT REVIEW
	PERMIT
	CONSTRUCTION
09/16/14	REVISION Δ

09/16/14

Z:\SEAL.jpg

PE BUILDINGS
BRIDGES
INSPECTIONS
MARINE STRUCTURES
CIVIL ENGINEERING &
STRUCTURAL ENGINEERING

PARAMOUNT
ENGINEERING
LLC

7322 SOUTHWEST FREEWAY STE. 1050
HOUSTON, TX 77074

TEL : (713) 636-9977
FAX : (713) 888-9872
CEL : (713) 204-1742

TBPE REGISTRATION # F-3394

DRAWN BY: E.V. CHECKED BY: M.M.

PROJ. NO.: PE12-225

SHEET: S11