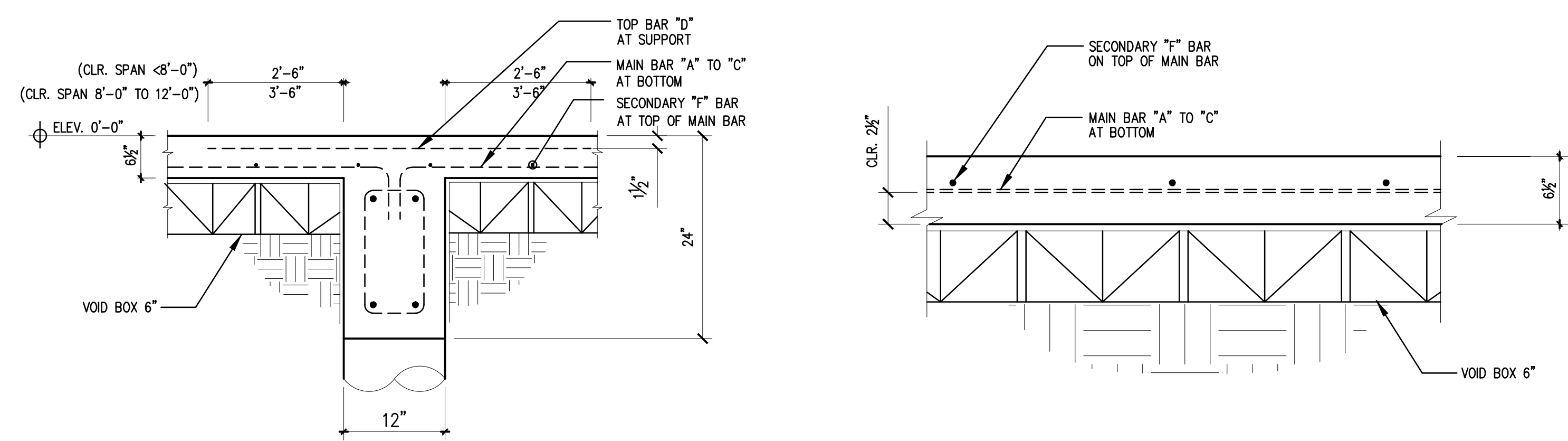


DETAIL-2: TYPICAL SLAB REINFORCEMENT
SCALE: 3/16" = 1'-0"

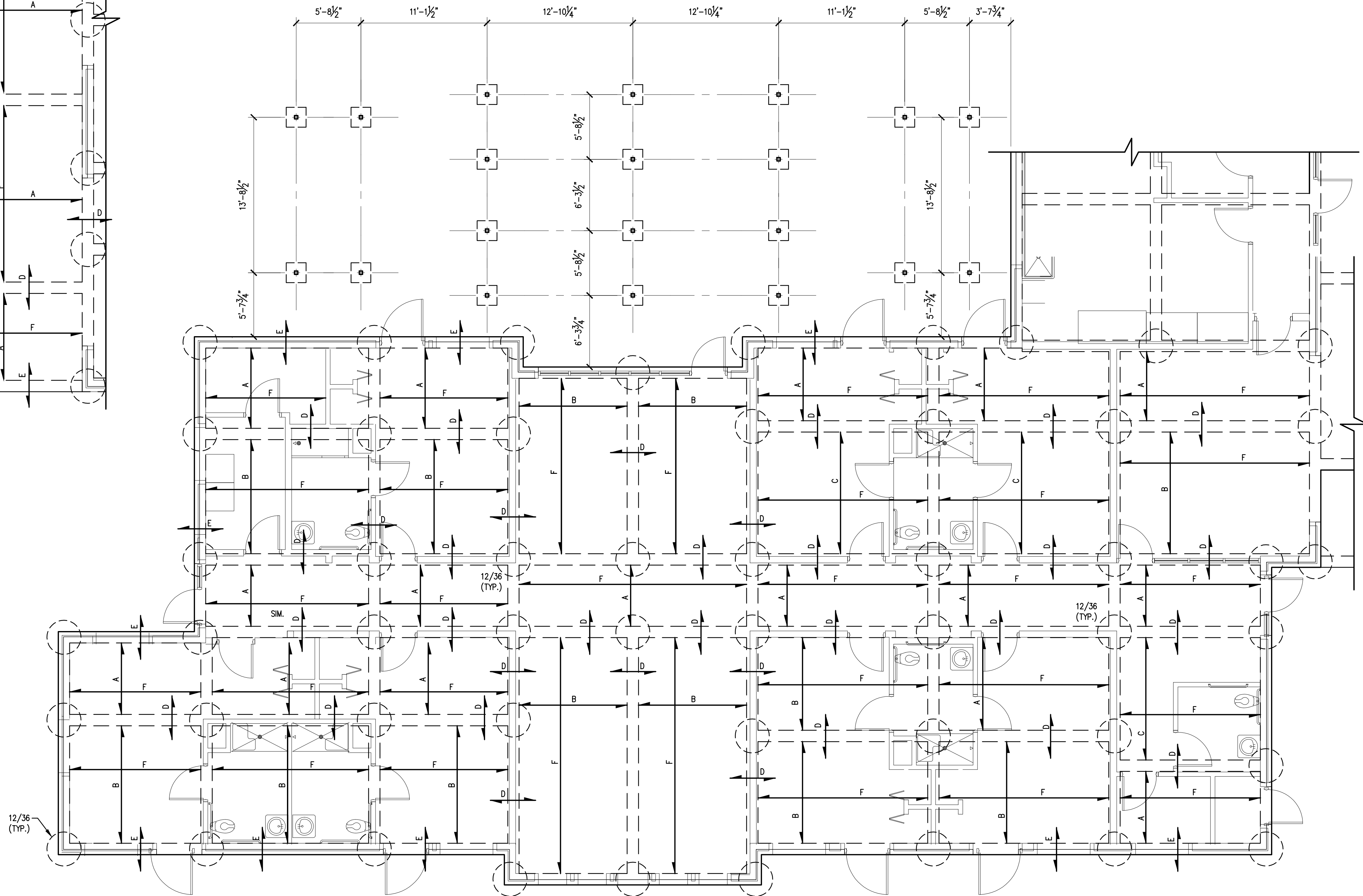
SCHEDULE OF REINFORCEMENT OF STRUCTURAL SLAB		
BAR I.D.	LOCATION	SIZE & SPACING
A	MAIN BAR AT BOTTOM	#5 @ 12"
B	MAIN BAR AT BOTTOM	#5 @ 9"
C	MAIN BAR AT BOTTOM	#5 @ 8"
D	TOP BAR AT SUPPORT. SEE DETAIL A ON THIS SHEET	#5 @ 12"
E	3'-6" LONG BAR TOP AT SUPPORT	#5 @ 12"
F	SECONDARY BAR AT BOTTOM	#3 @ 15"

LEGEND:
 DIRECTION OF REINFORCEMENT EXTEND SUPPORT TO SUPPORT



DETAIL-A
SLAB REINFORCEMENT AT INTERIOR SUPPORT BEAM
NOT TO SCALE

SECTION: TYPICAL SLAB REINFORCEMENT ARRANGEMENT
NOT TO SCALE



DETAIL-1: TYPICAL SLAB REINFORCEMENT
SCALE: 3/16" = 1'-0"

PARTIAL FOUNDATION PLANS

OPTIMUM PERSONAL CARE
1110 LAKEVIEW DRIVE
SUGAR LAND, TX. 77478

ISSUE HISTORY	
DATE	ISSUED FOR
	CLIENT REVIEW
	PERMIT
	CONSTRUCTION
08/04/14	REVISION Δ

08/04/14
Z:\SEAL.jpg

PE BUILDINGS BRIDGES INSPECTIONS MARINE STRUCTURES CIVIL ENGINEERING & STRUCTURAL ENGINEERING

PARAMOUNT ENGINEERING LLC

7322 SOUTHWEST FREEWAY STE. 1050 HOUSTON, TX 77074
 TEL : (713) 636-9977
 FAX : (713) 888-9872
 CEL : (713) 204-1742

TBPE REGISTRATION # F-3394
 DRAWN BY: E.V. H.P. CHECKED BY: M.M.

PROJ. NO.: PE12-225

SHEET: **S1C**