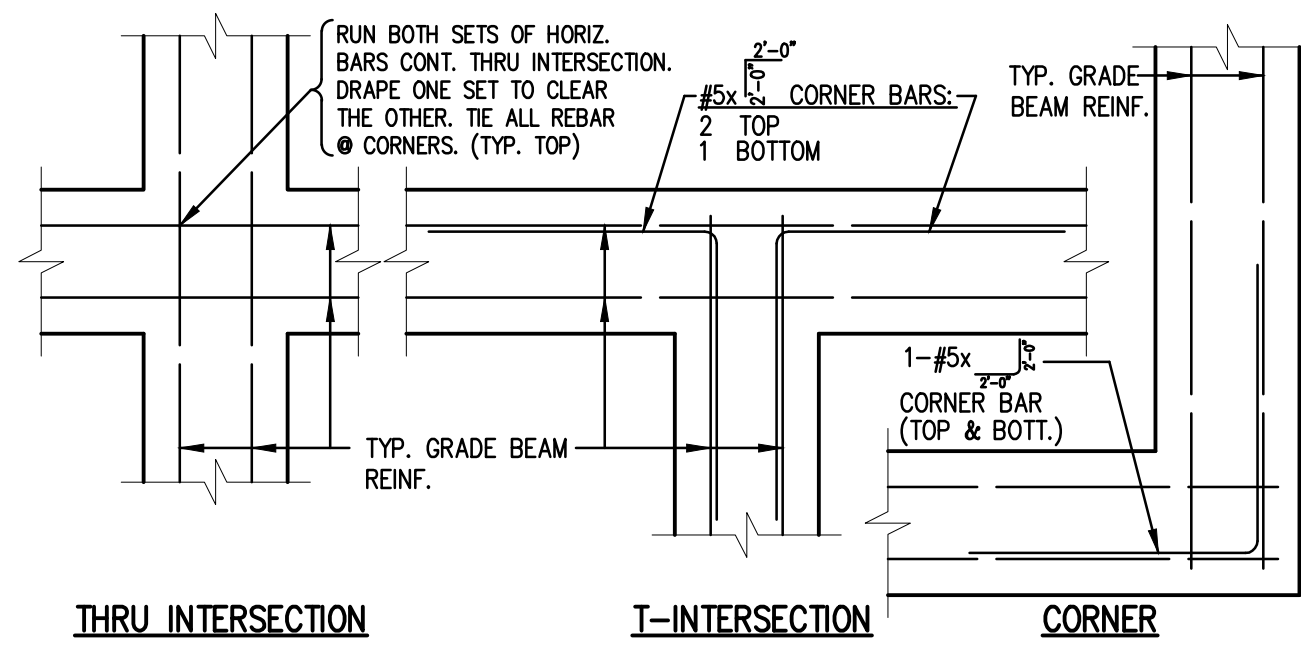
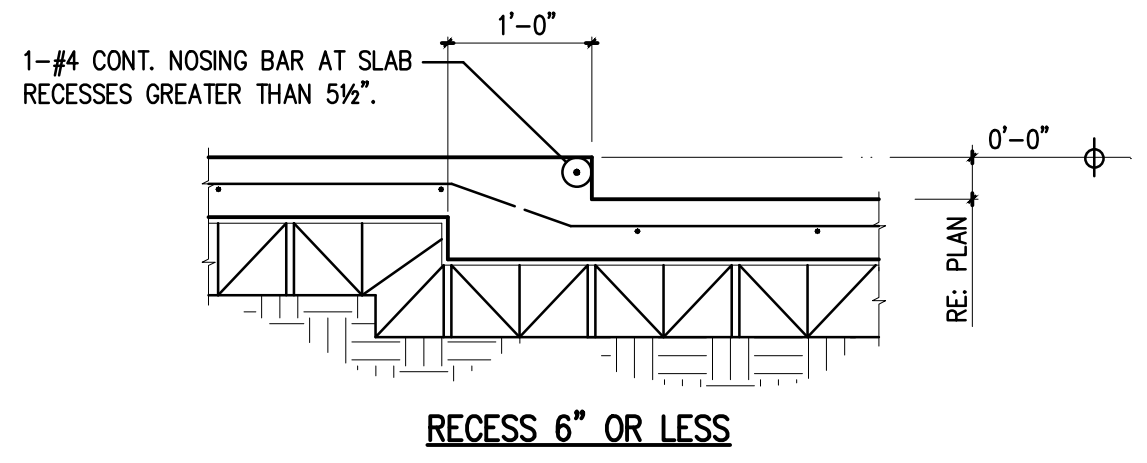


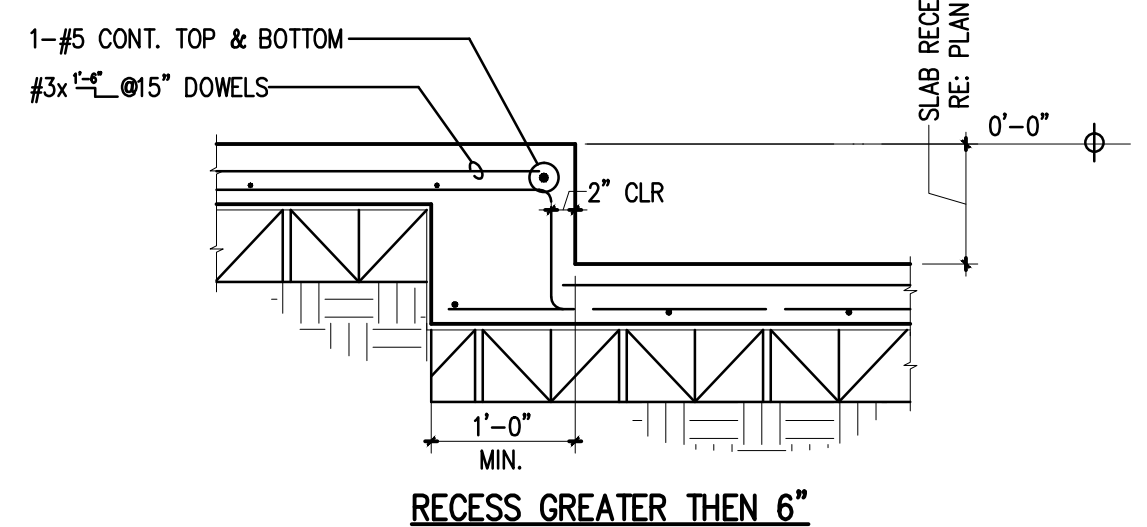
TYPICAL DRILLED PIER DETAIL



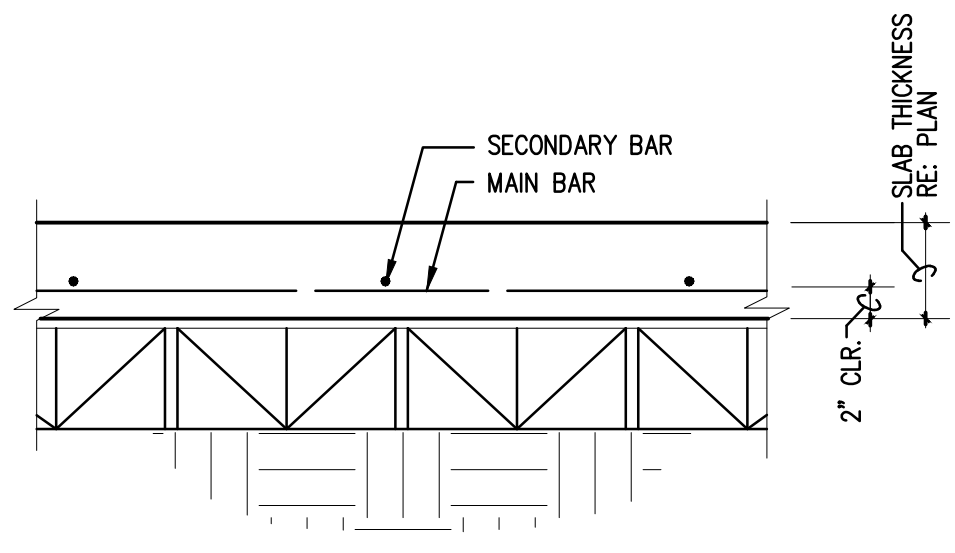
TYPICAL REINFORCEMENT DETAILS @ GRADE BEAM INTERSECTIONS



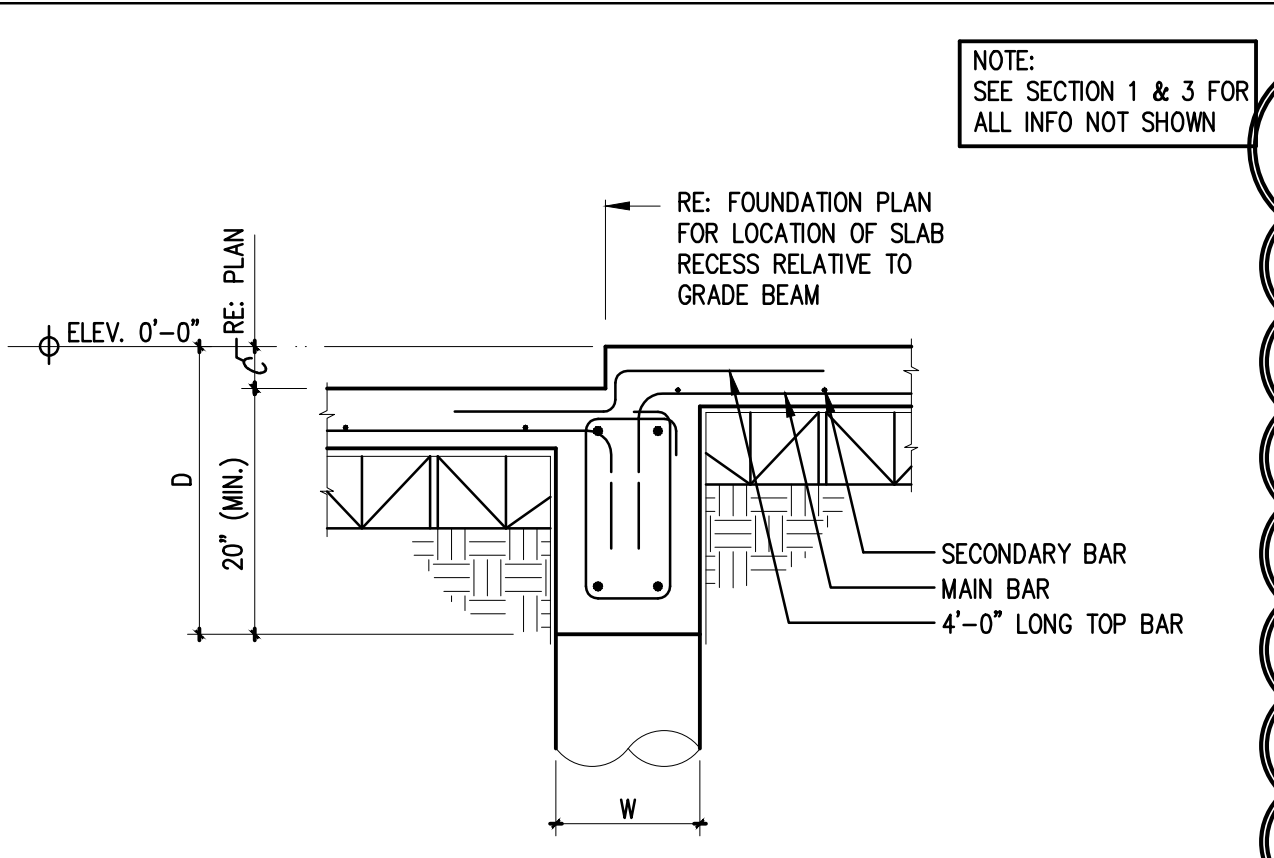
NOTE: USE THIS DETAIL WHERE SLAB RECESS DOES NOT OCCUR OVER A BEAM



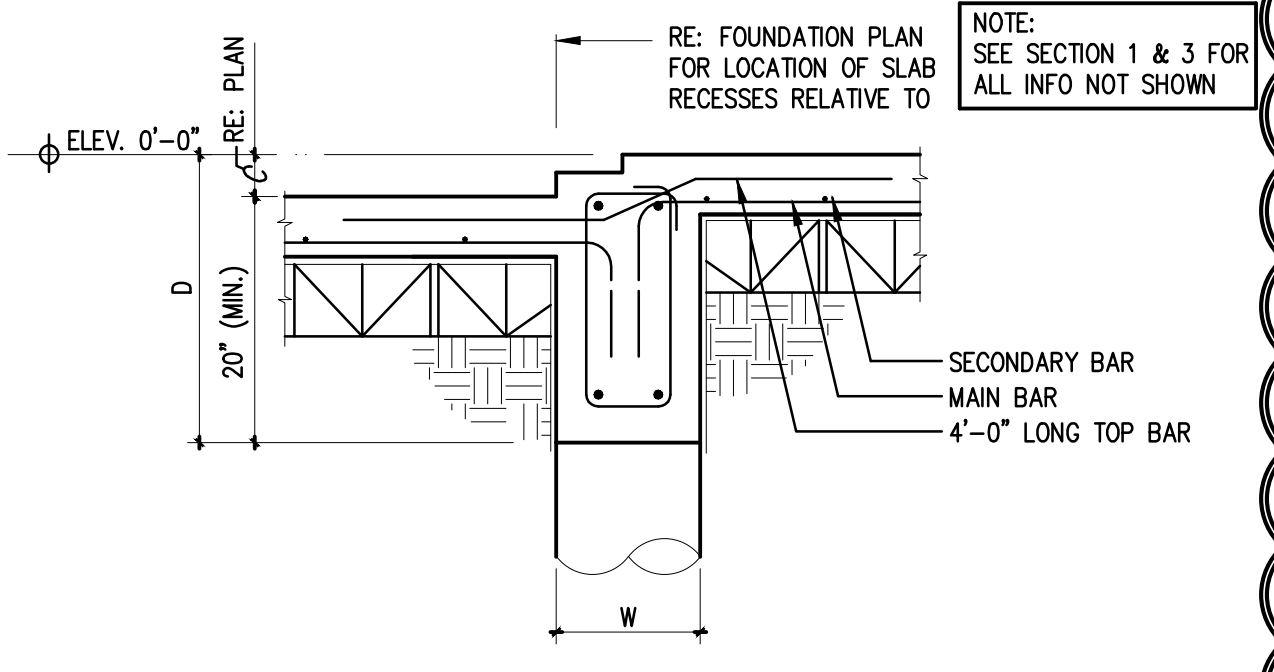
TYPICAL SLAB RECESS DETAIL



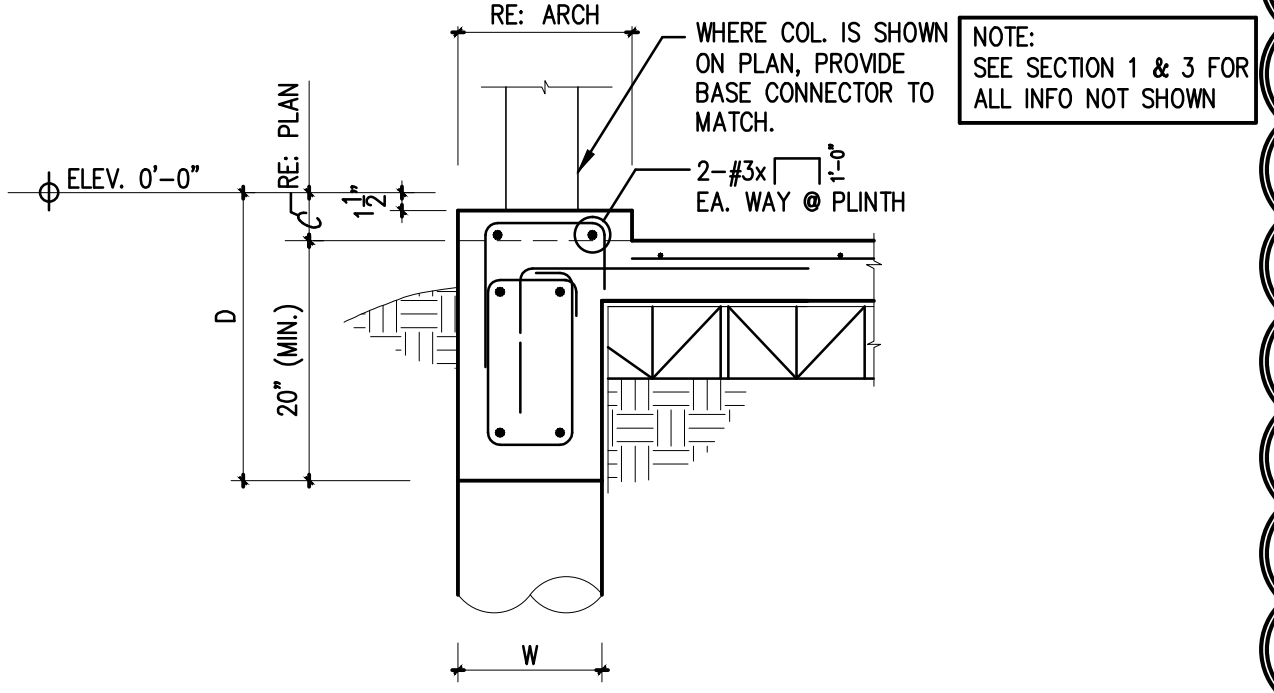
TYPICAL SLAB REINFORCEMENT ARRANGEMENT
NOT TO SCALE



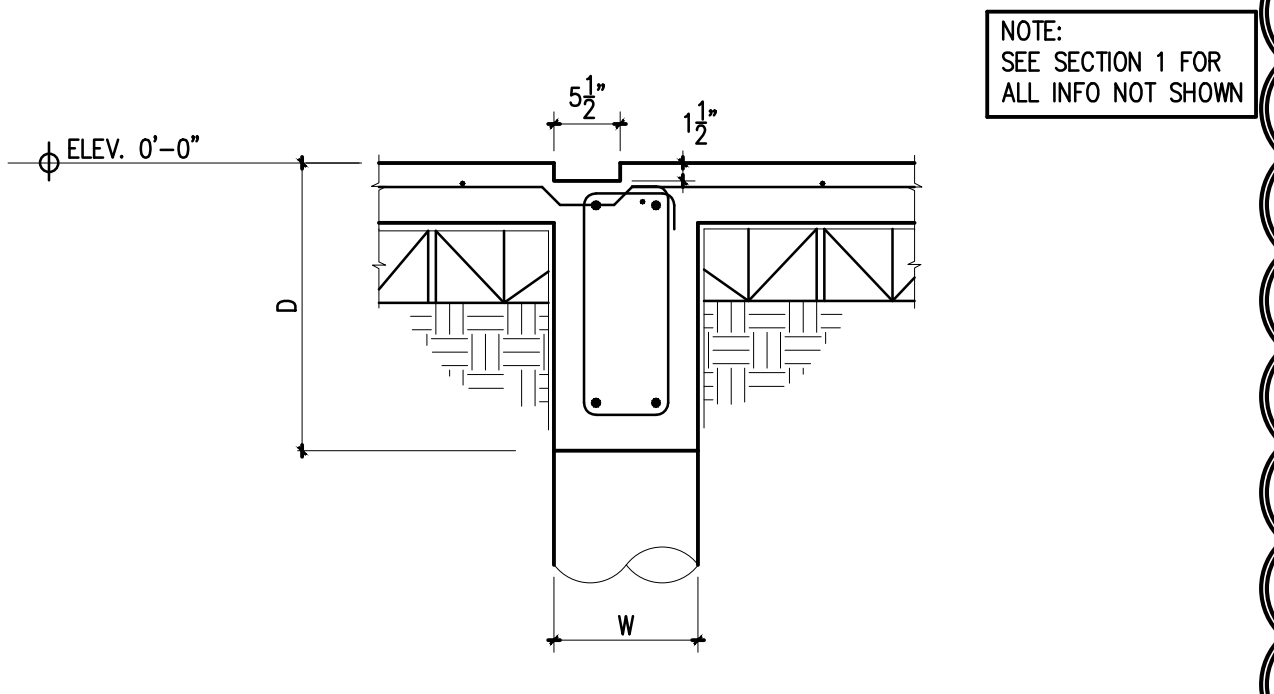
6 SECTION: TYPICAL GRADE BEAM @ SLAB RECESS



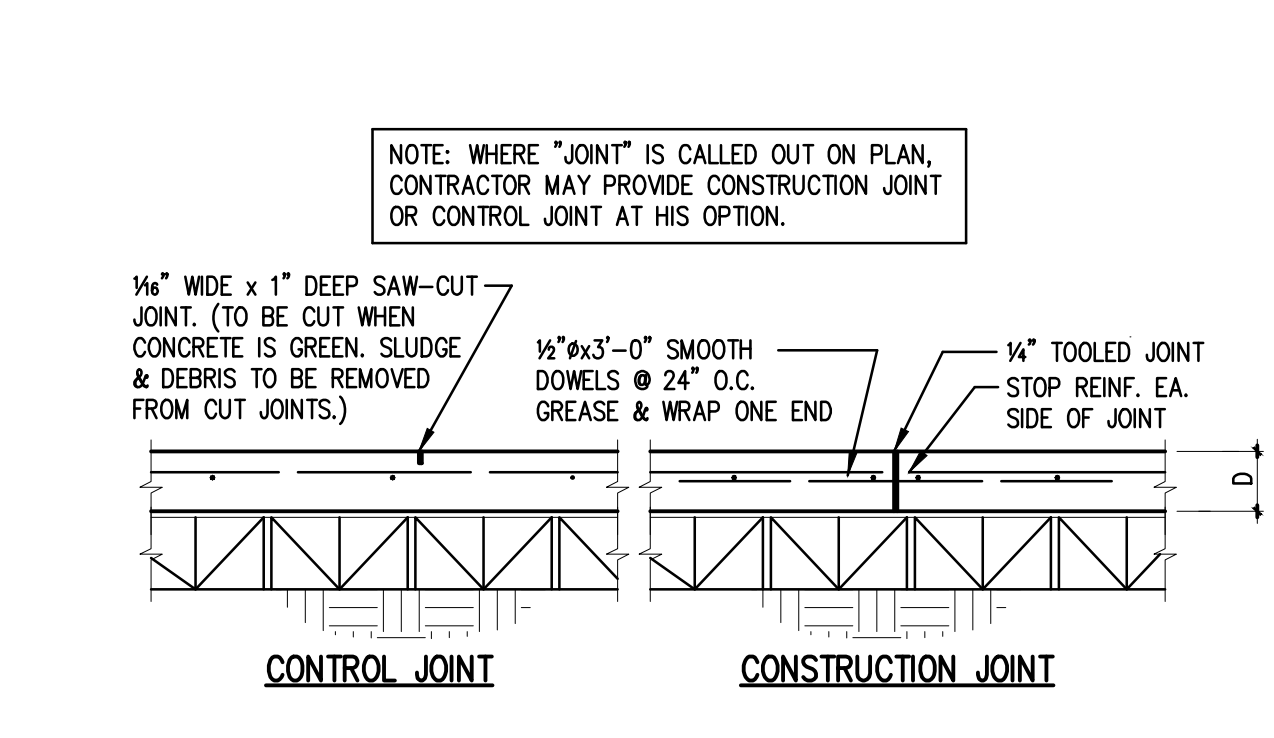
7 SECTION: TYPICAL GRADE BEAM @ SLAB RECESS W/ BRICK



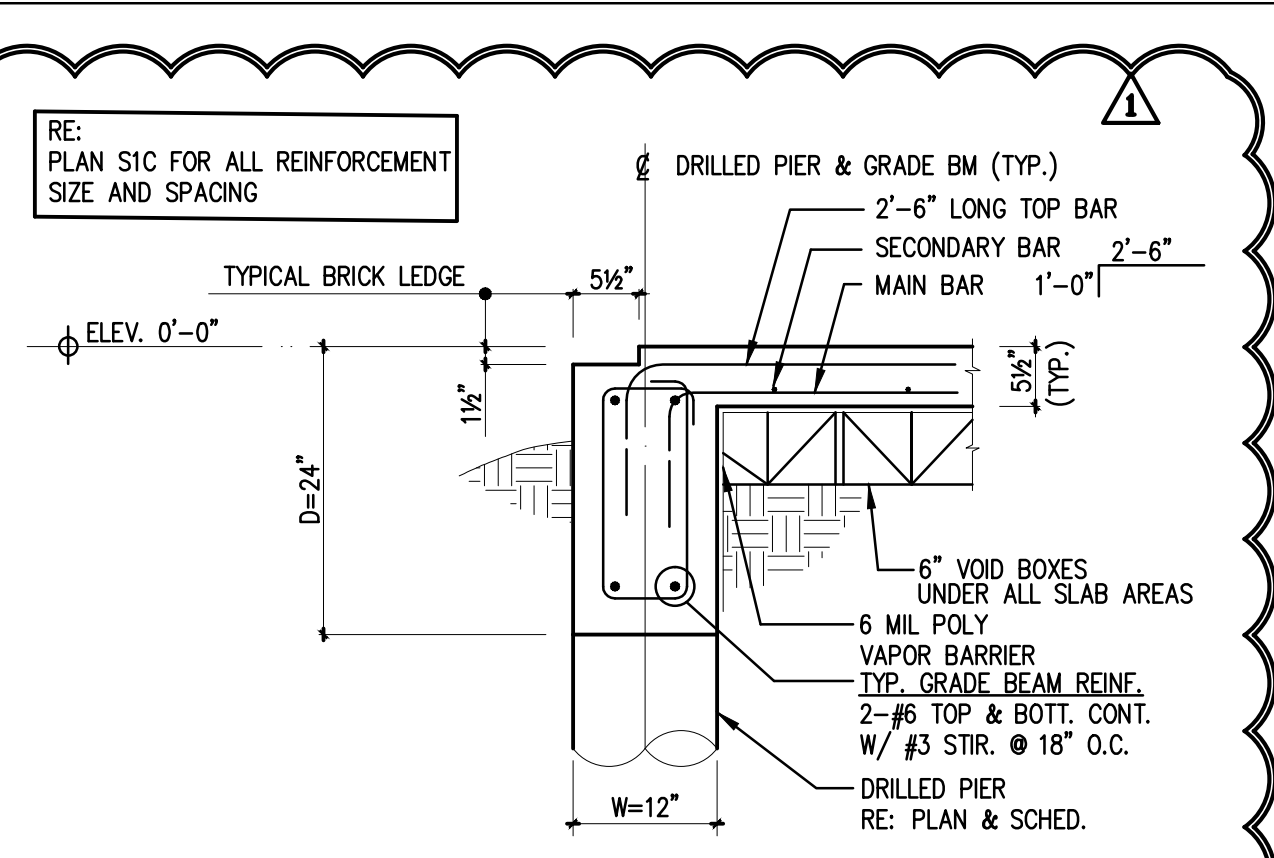
8 SECTION: TYPICAL GRADE BEAM @ PLINTH



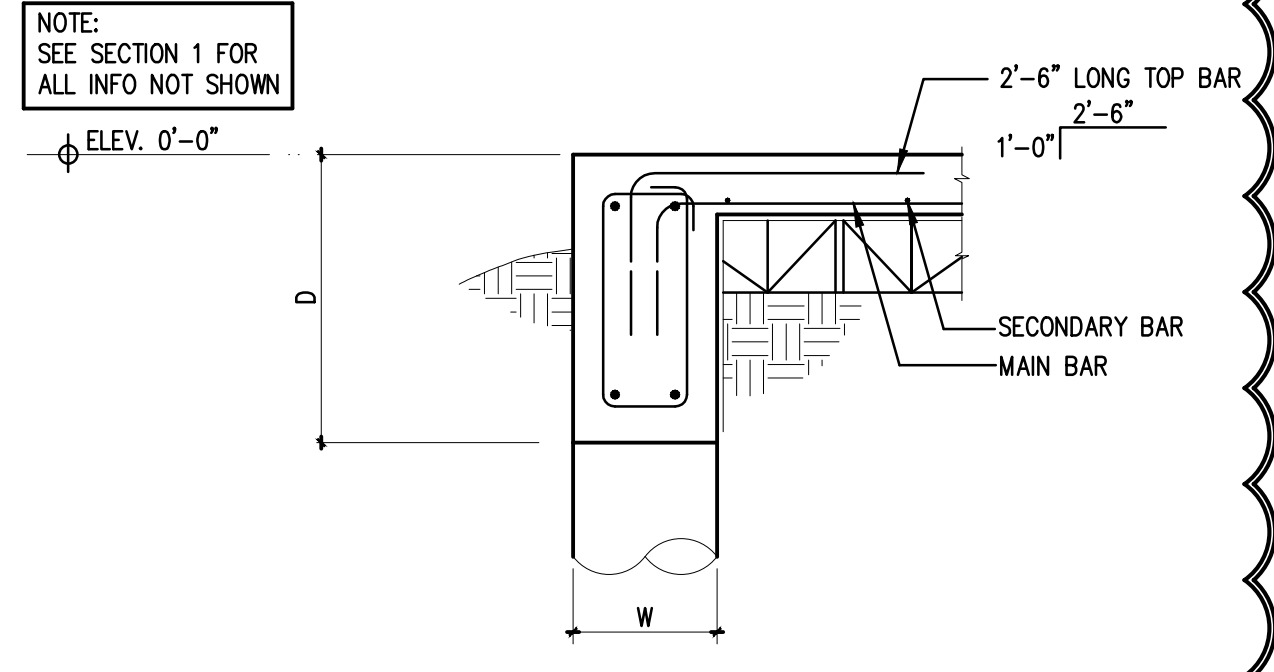
9 SECTION: TYPICAL INTERIOR GRADE BEAM W/ BRICK



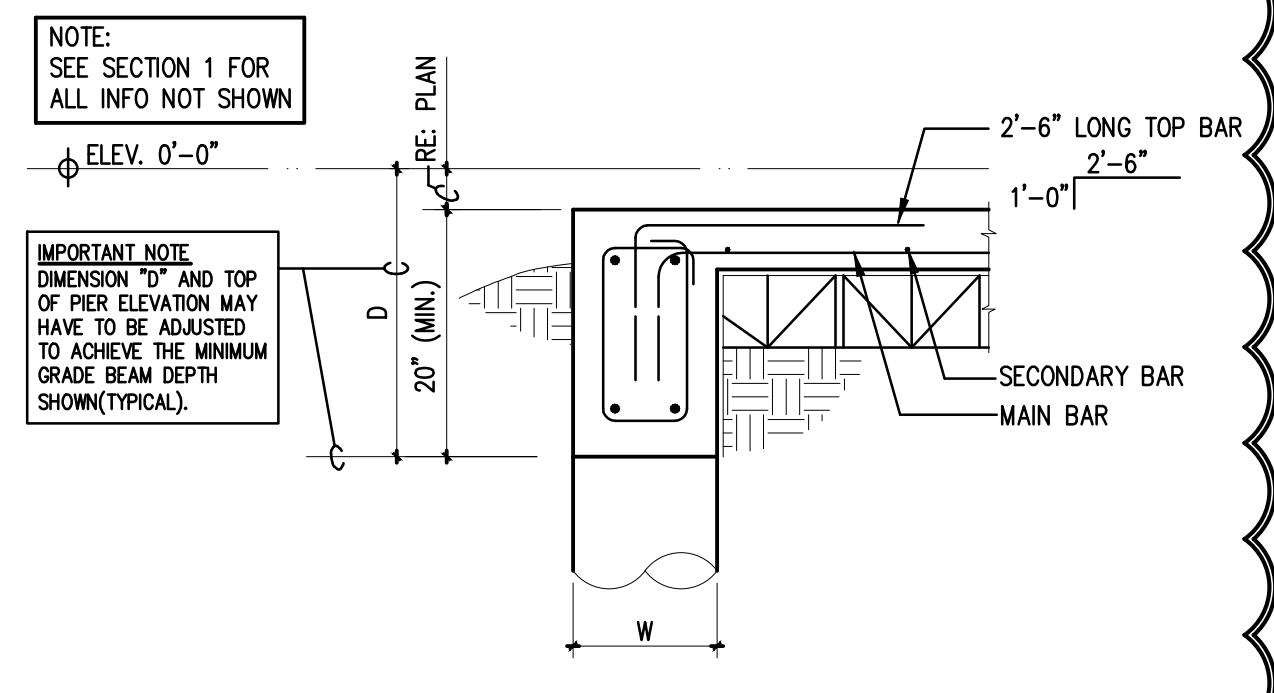
TYPICAL SLAB JOINT DETAILS



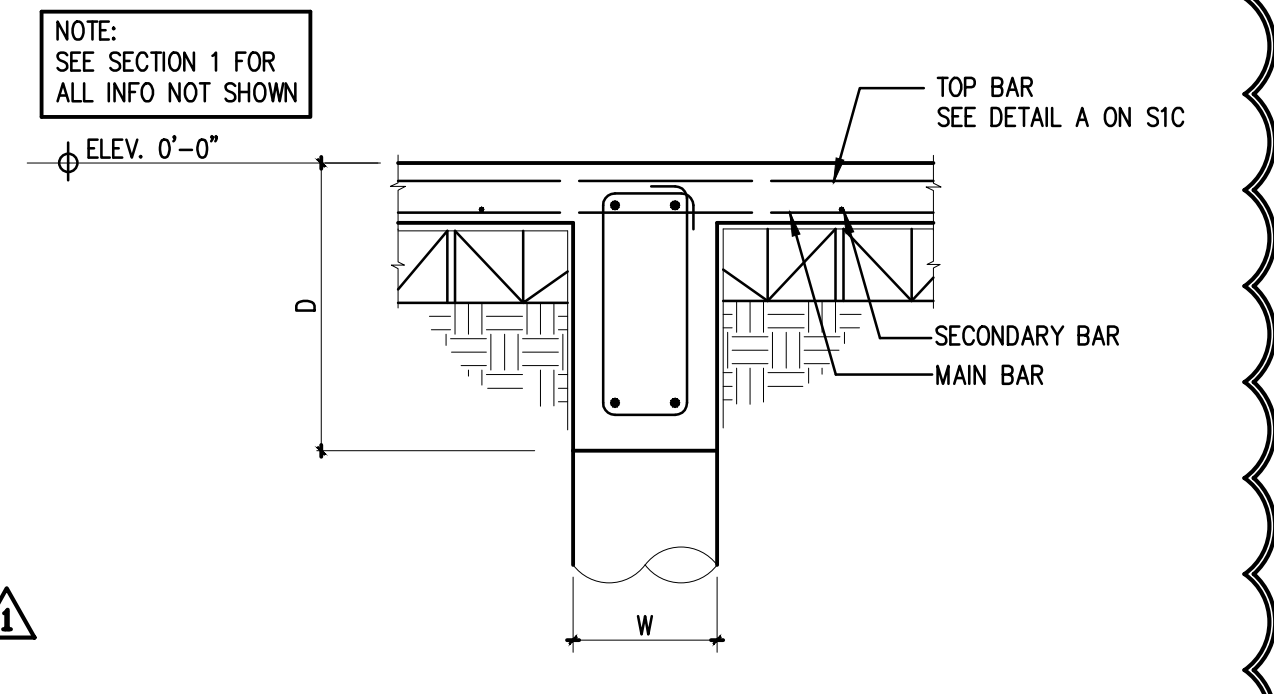
1 SECTION: TYPICAL GRADE BEAM @ BRICK LEDGE



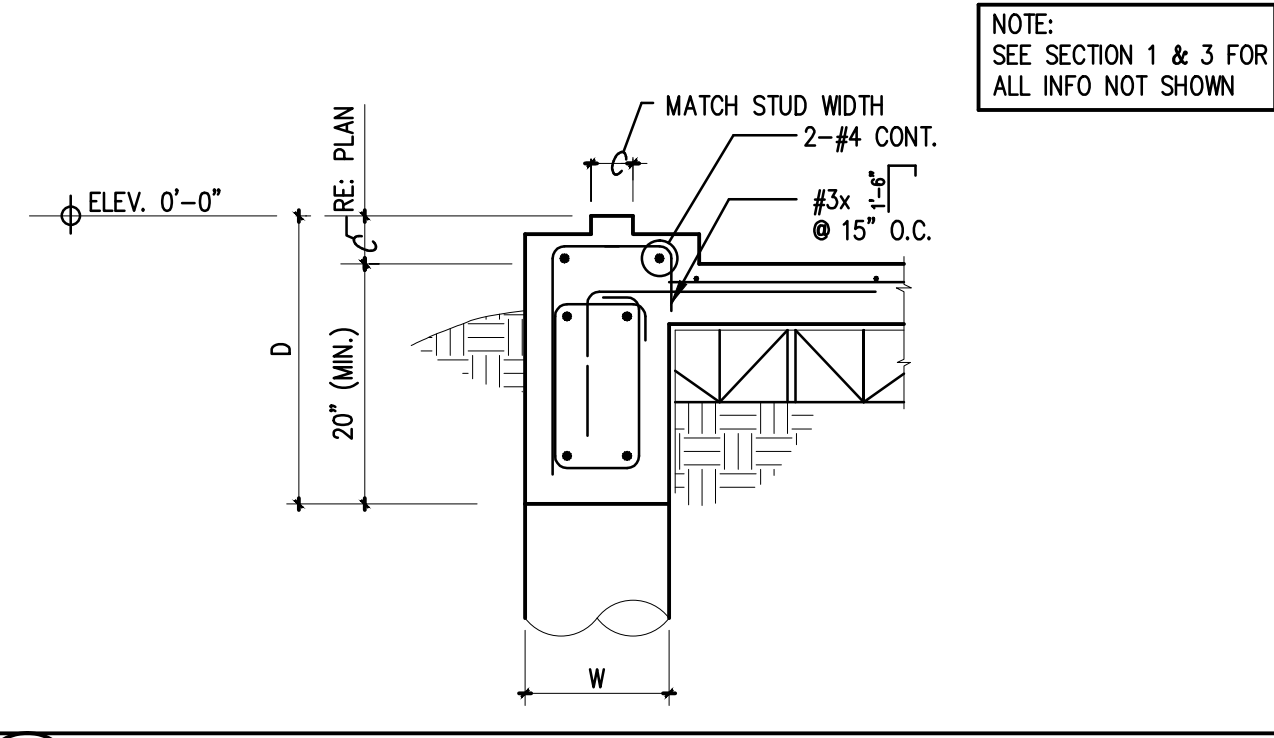
2 SECTION: TYPICAL GRADE BEAM



3 SECTION: TYPICAL GRADE BEAM @ DROPPED SLAB



4 SECTION: TYPICAL INTERIOR GRADE BEAM



5 SECTION: TYPICAL GRADE BEAM @ PLINTH W/ BRICK BOTH SIDES

FOUNDATION SECTIONS

OPTIMUM PERSONAL CARE
1110 LAKEVIEW DRIVE
SUGAR LAND, TX. 77478

ISSUE HISTORY

DATE	ISSUED FOR
	CLIENT REVIEW
	PERMIT
	CONSTRUCTION
08/04/14	REVISION Δ

PE BUILDINGS BRIDGES INSPECTIONS MARINE STRUCTURES CIVIL ENGINEERING & STRUCTURAL ENGINEERING

PARAMOUNT ENGINEERING LLC

7322 SOUTHWEST FREEWAY STE. 1050 HOUSTON, TX 77074
TEL : (713) 636-9977
FAX : (713) 888-9872
CEL : (713) 204-1742

TBPE REGISTRATION # F-3394

DRAWN BY: E.V. CHECKED BY: M.M.

PROJ. NO.: PE12-225

SHEET: S2