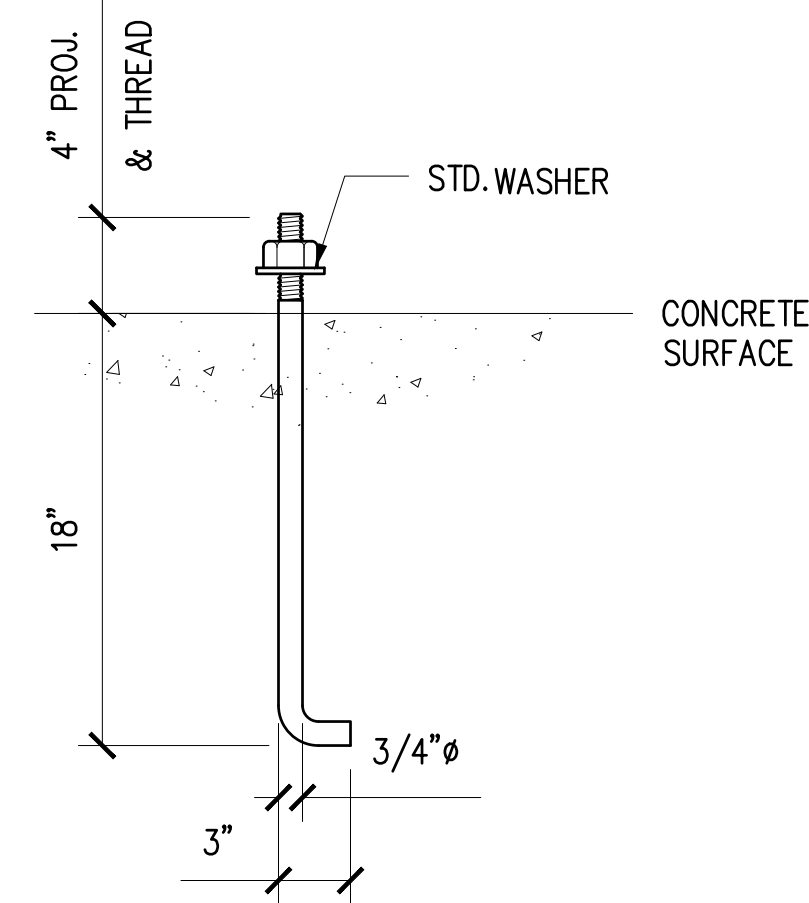
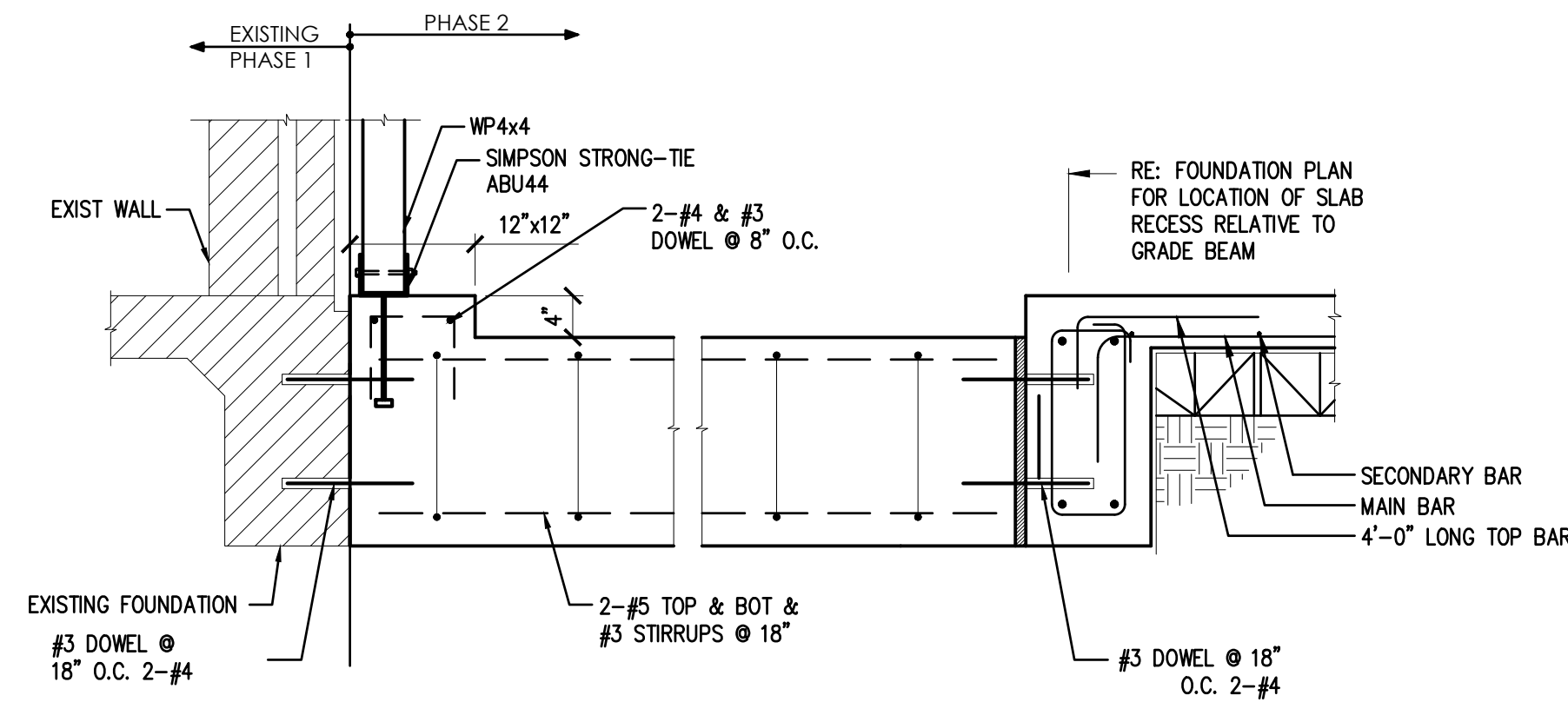


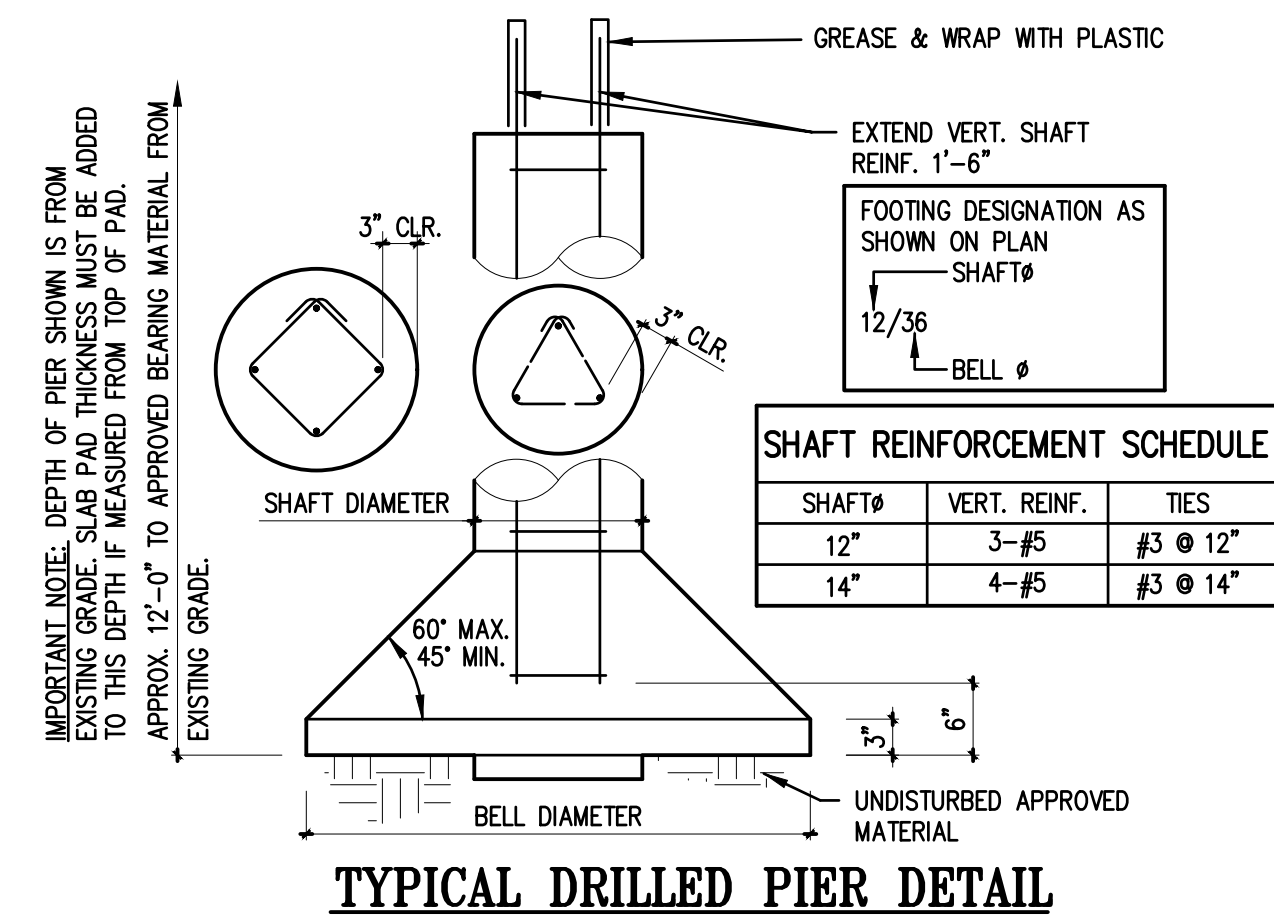
BASE PLATE DETAIL



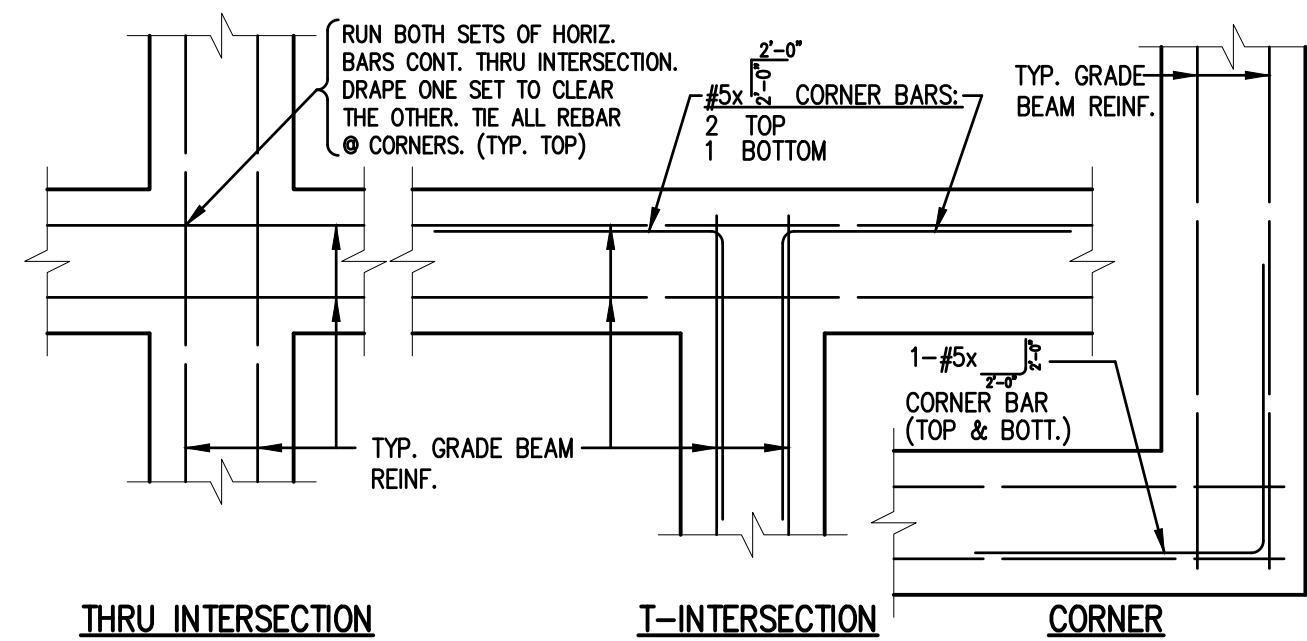
ANCHOR BOLT DETAIL



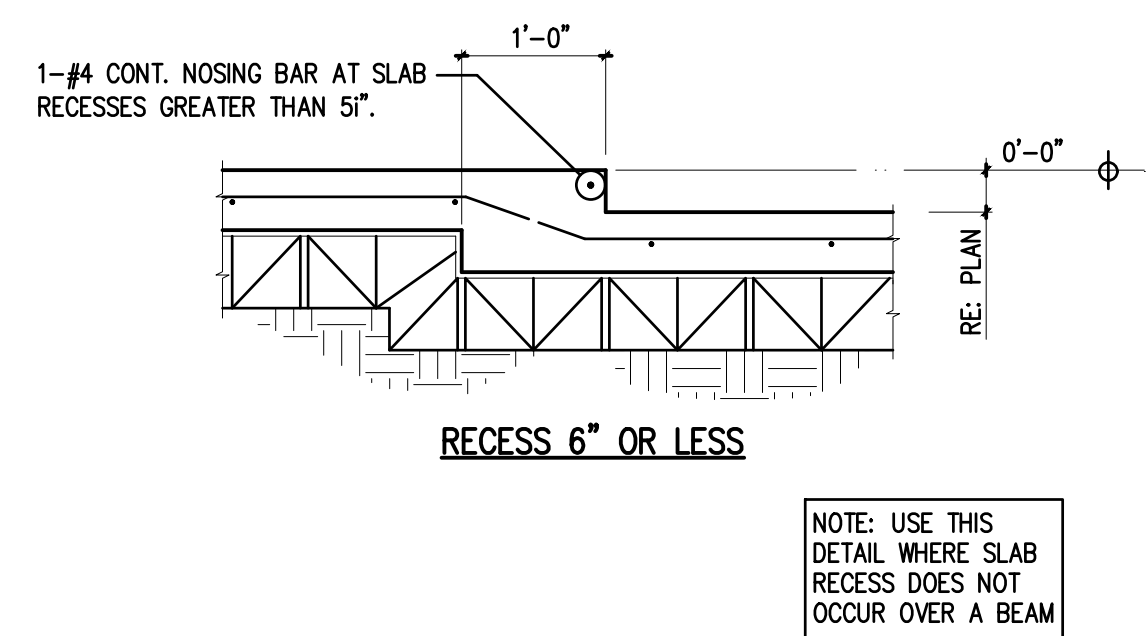
10 SECTION: CONN. BETWEEN WALK WAY & EXISTING GRADE BEAMS



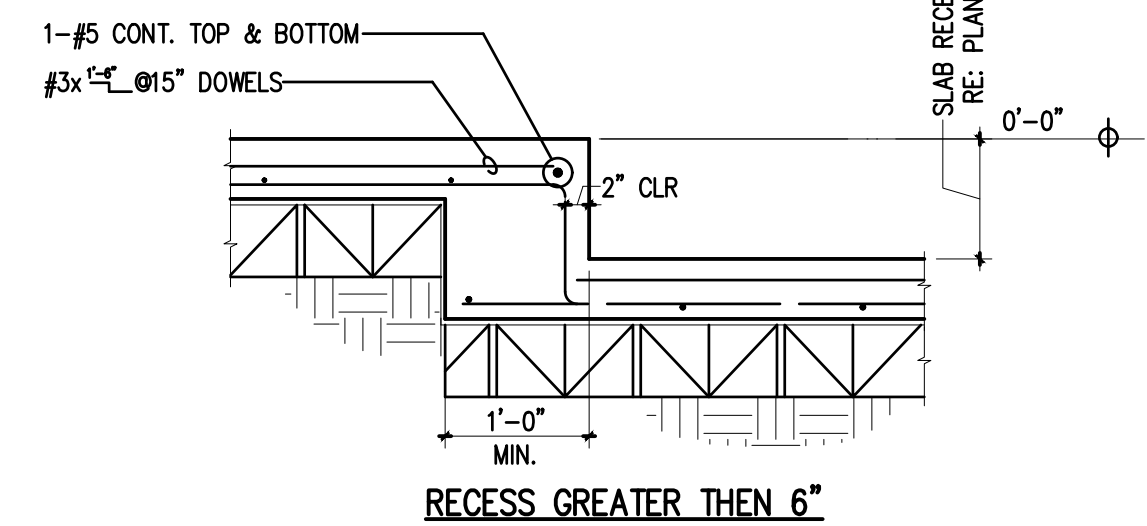
TYPICAL DRILLED PIER DETAIL



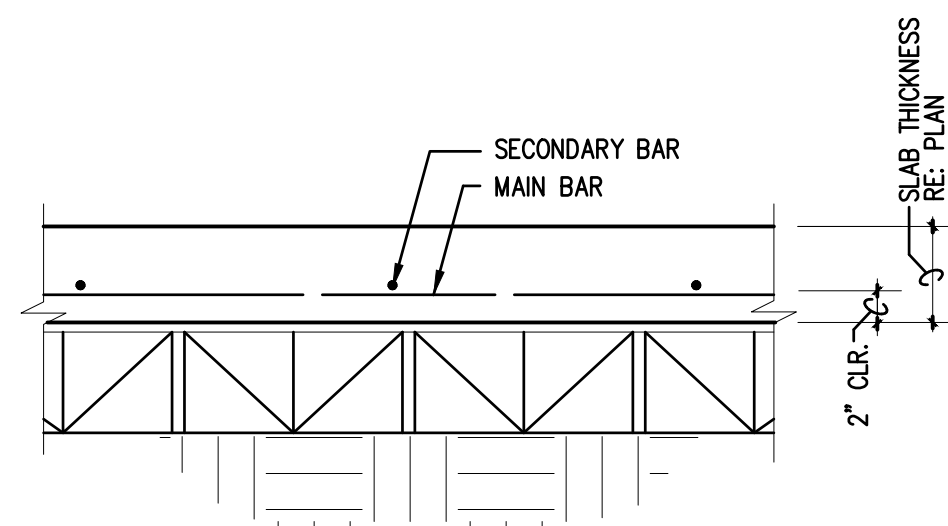
TYPICAL REINFORCEMENT DETAILS @ GRADE BEAM INTERSECTIONS



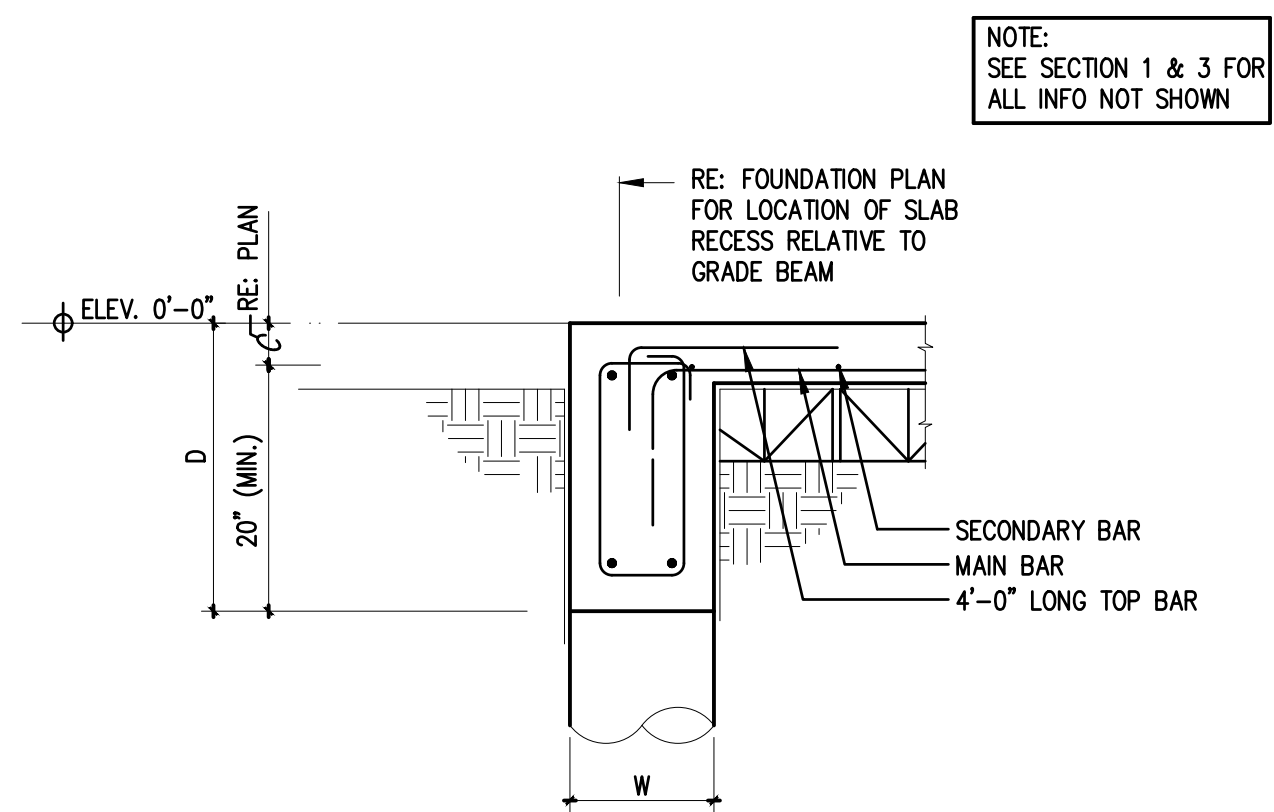
RECESS 6" OR LESS



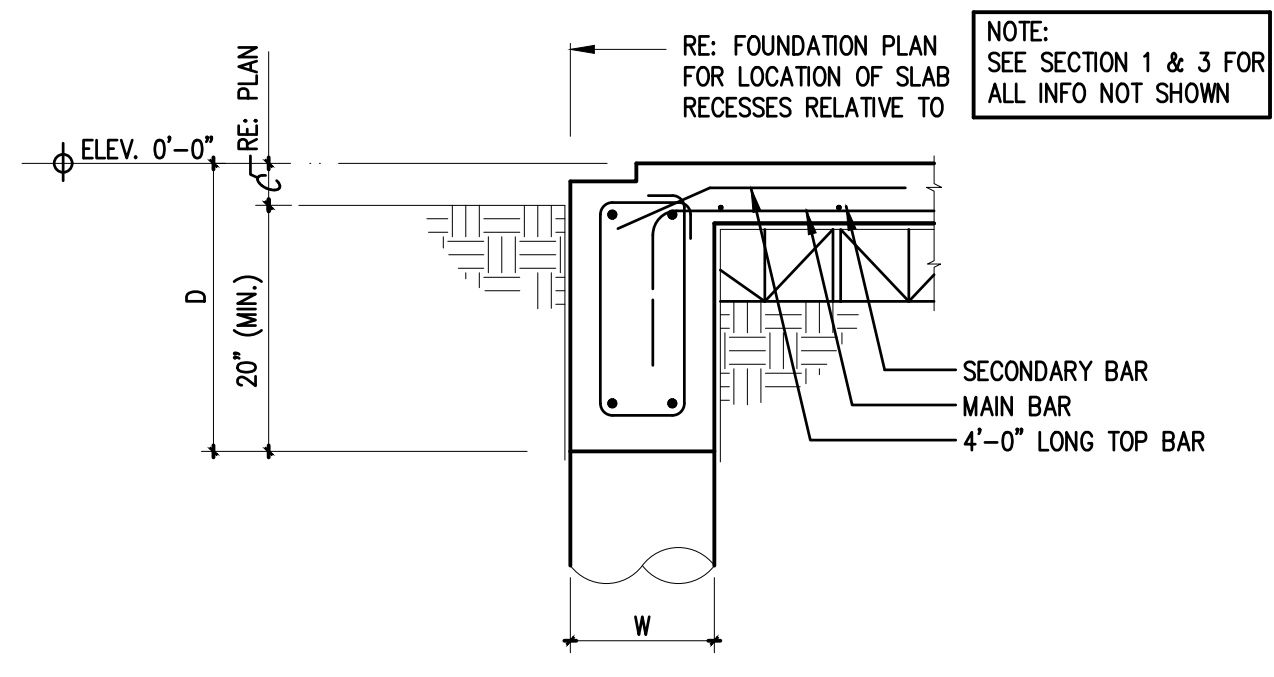
TYPICAL SLAB RECESS DETAIL



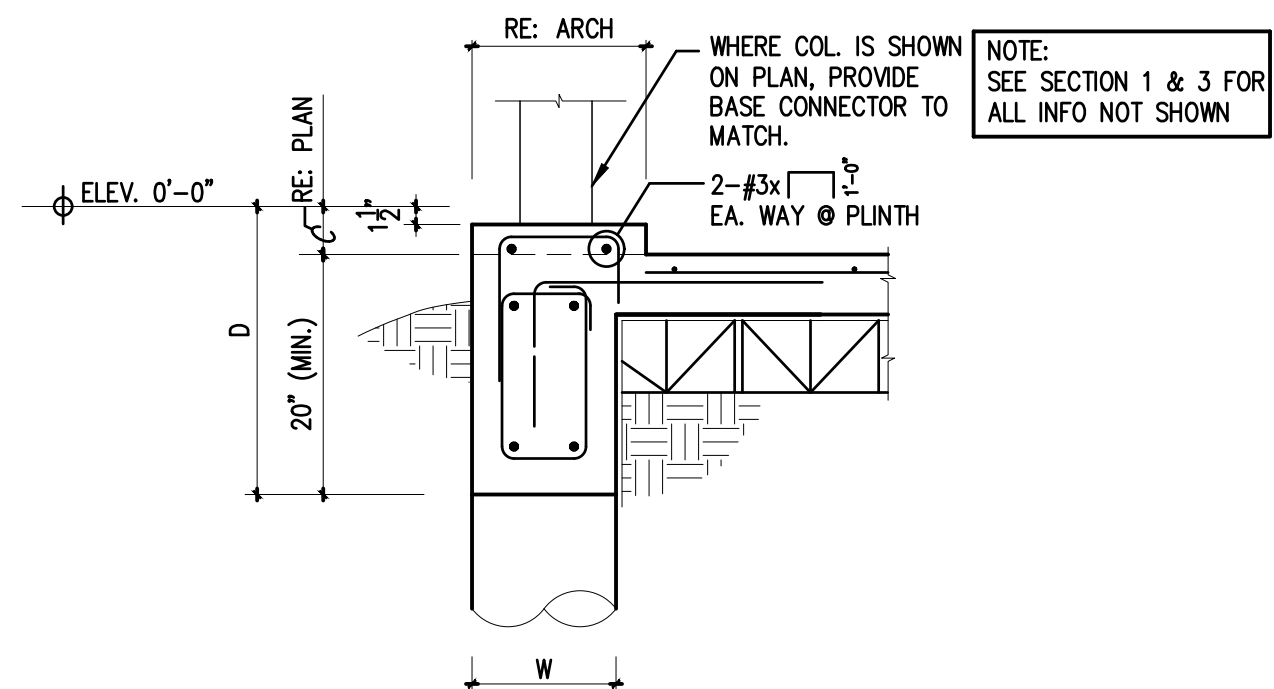
TYPICAL SLAB REINFORCEMENT ARRANGEMENT
NOT TO SCALE



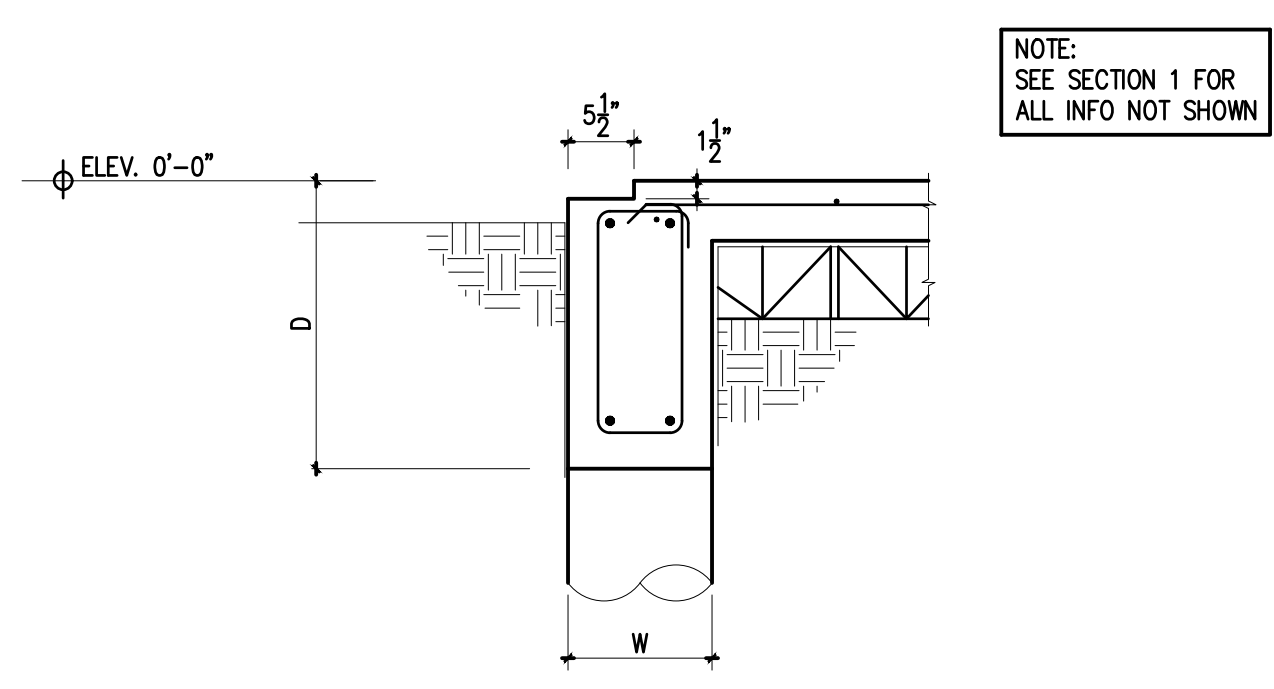
6 SECTION: TYPICAL GRADE BEAM @ SLAB RECESS



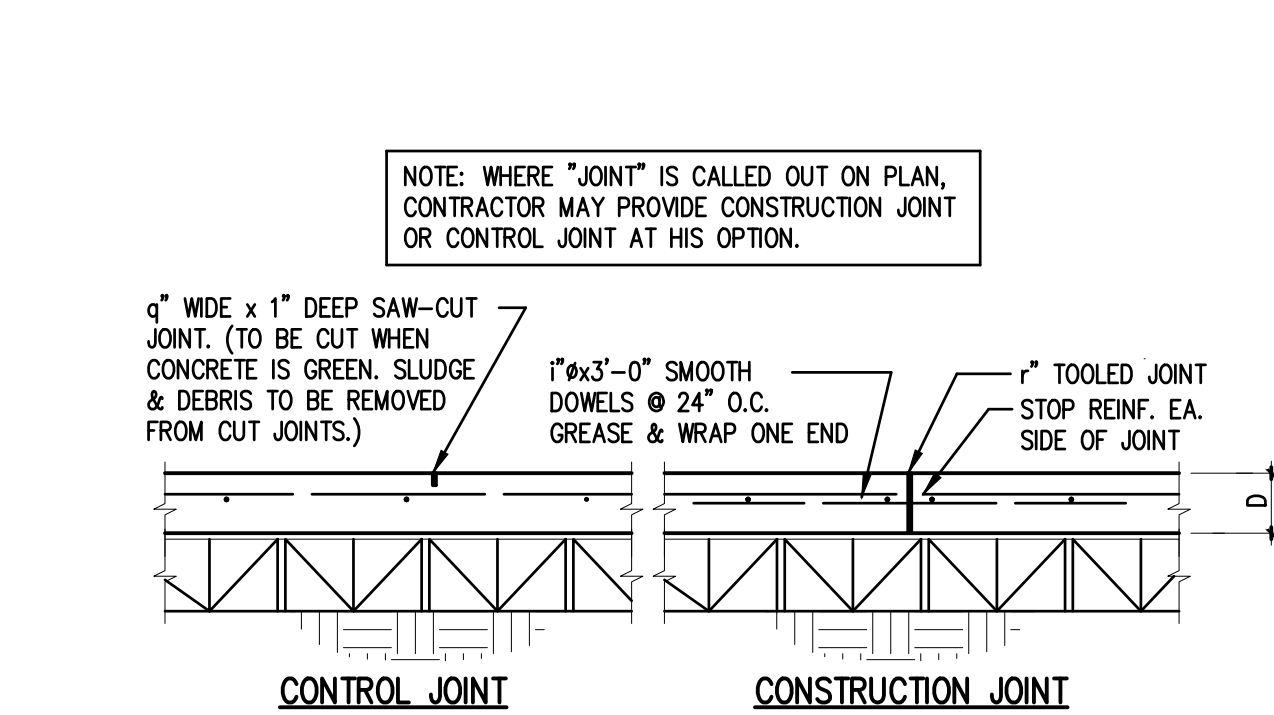
7 SECTION: TYPICAL GRADE BEAM @ SLAB RECESS W/ BRICK



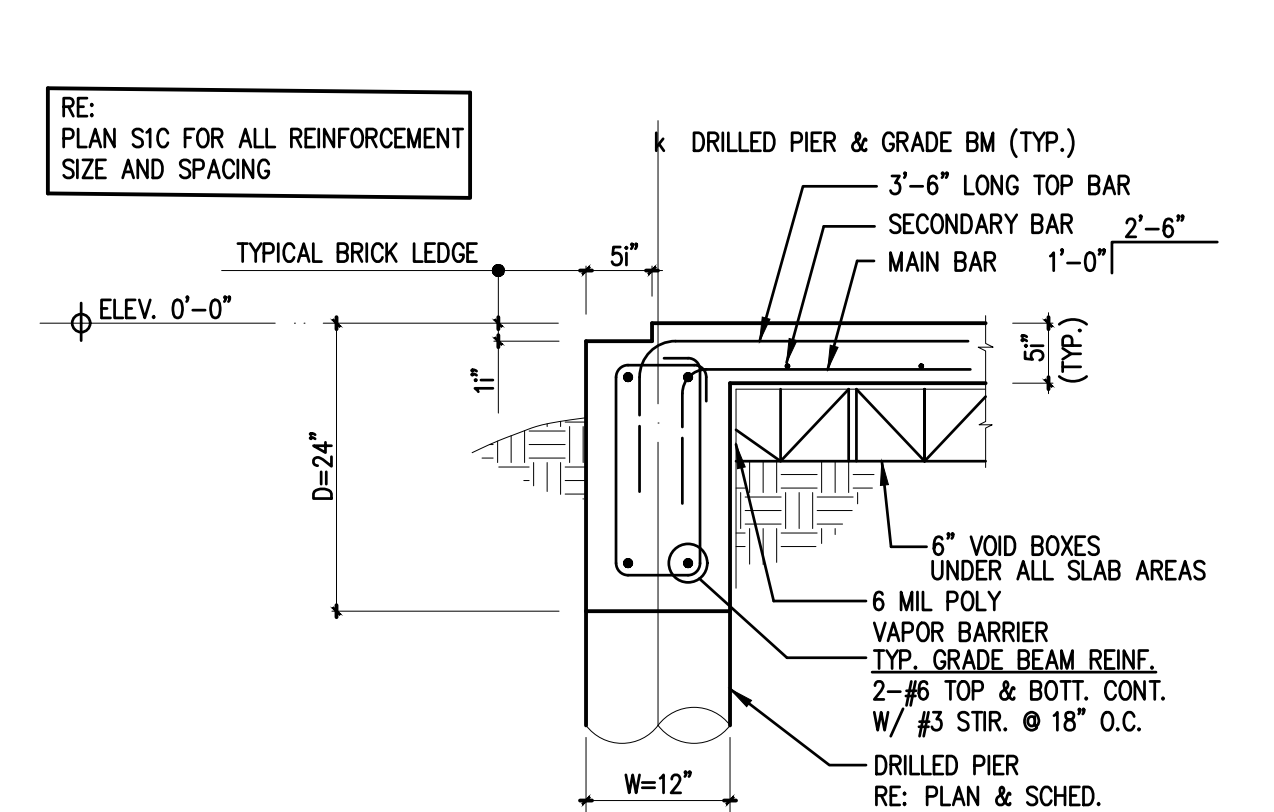
8 SECTION: TYPICAL GRADE BEAM @ PLINTH



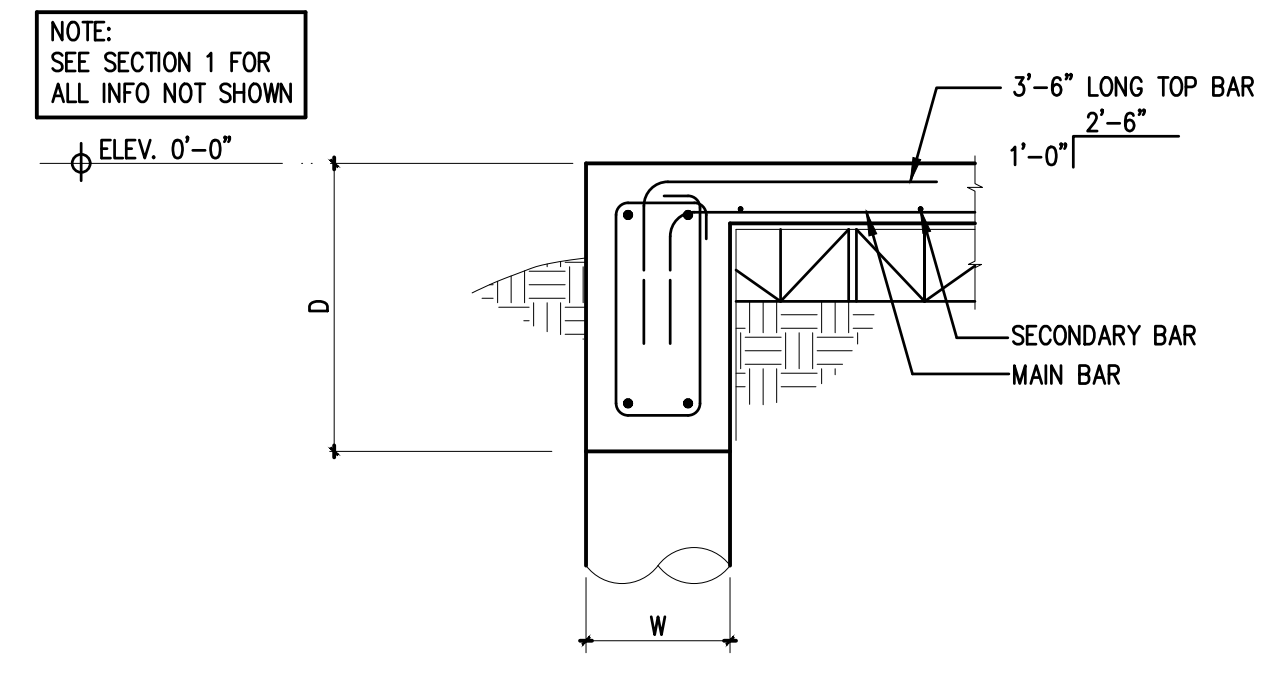
9 SECTION: TYPICAL EXTERIOR GRADE BEAM W/ BRICK



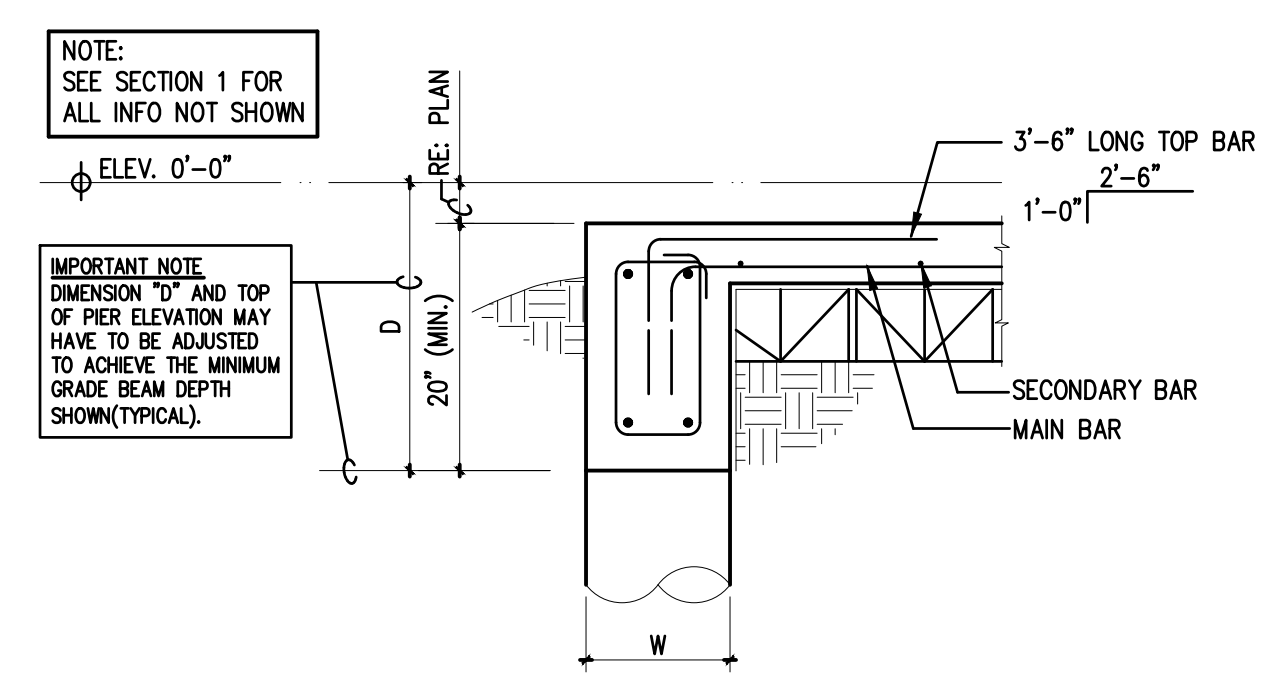
TYPICAL SLAB JOINT DETAILS



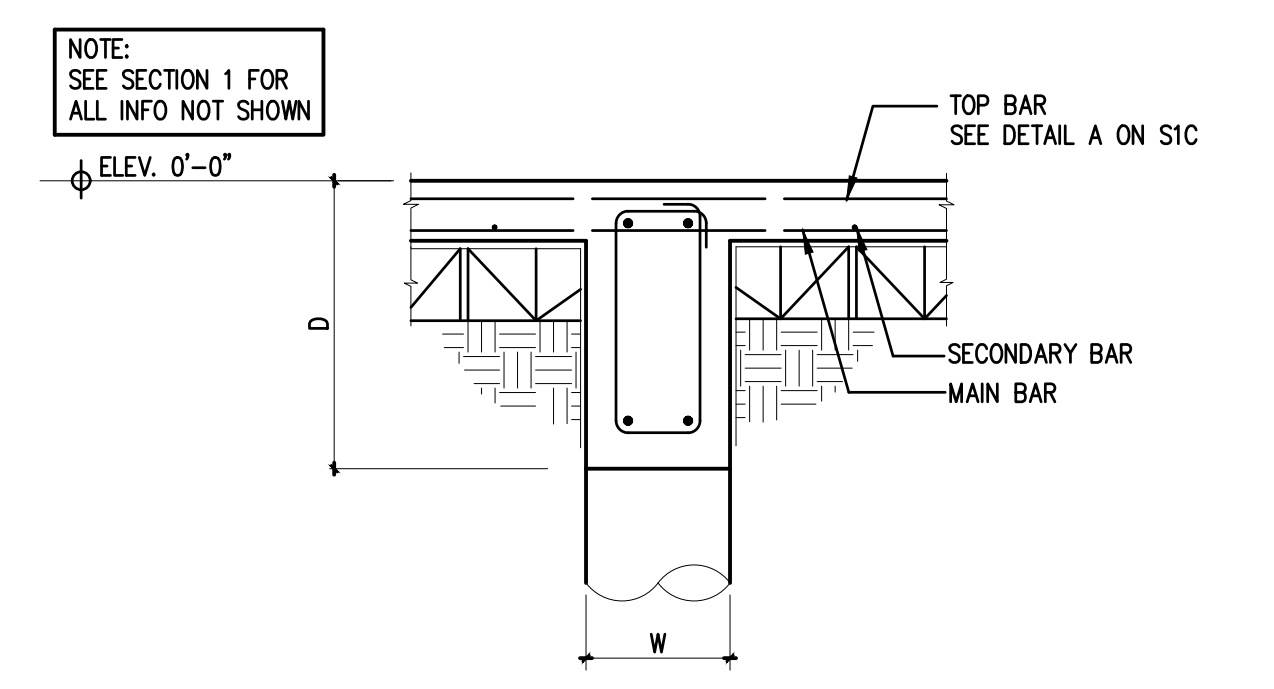
1 SECTION: TYPICAL GRADE BEAM @ BRICK LEDGE



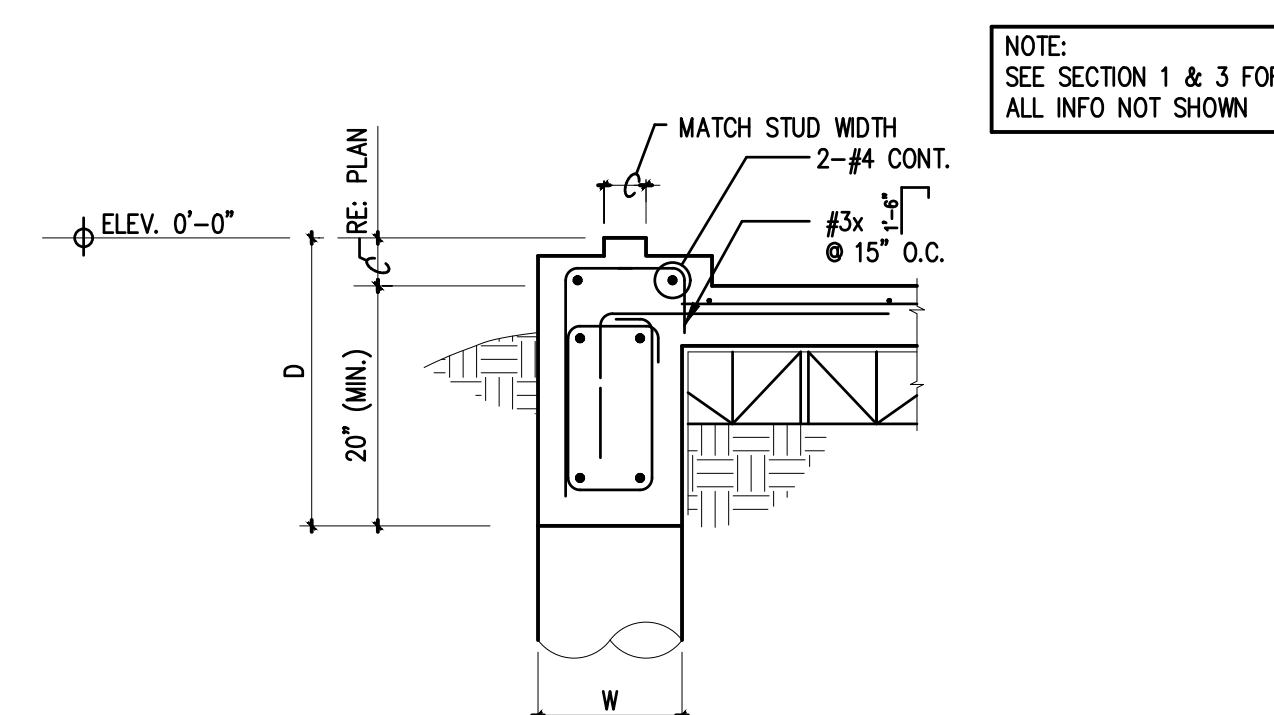
2 SECTION: TYPICAL GRADE BEAM



3 SECTION: TYPICAL GRADE BEAM @ DROPPED SLAB



4 SECTION: TYPICAL INTERIOR GRADE BEAM



5 SECTION: TYPICAL GRADE BEAM @ PLINTH W/ BRICK BOTH SIDES

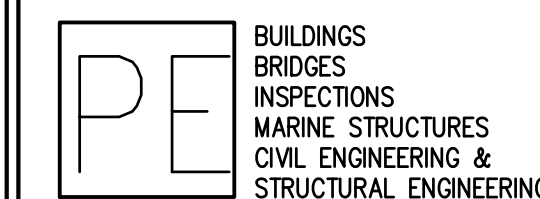
FOUNDATION SECTIONS

OPTIMUM PERSONAL CARE PH.2

1110 LAKEVIEW DRIVE
SUGAR LAND, TX. 77478

ISSUE HISTORY

DATE	ISSUED FOR
	CLIENT REVIEW
	PERMIT
	CONSTRUCTION



PARAMOUNT ENGINEERING LLC

10145 LONG POINT DR.
HOUSTON, TX 77043
TEL: (713) 636-9977
FAX: (713) 888-9872
CEL: (713) 204-1742

TBPE REGISTRATION # F-3394

DRAWN BY: E.V. CHECKED BY: M.M.

PROJ. NO.: PE12-225

SHEET: **S2**