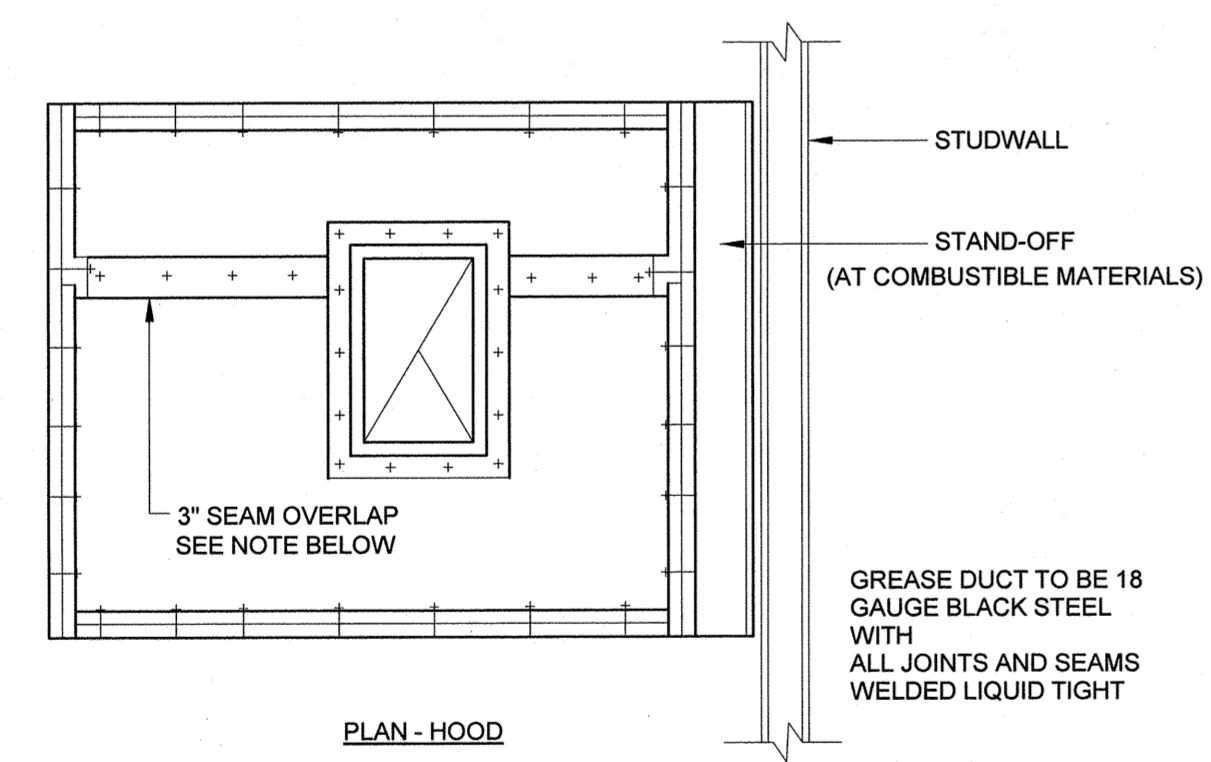
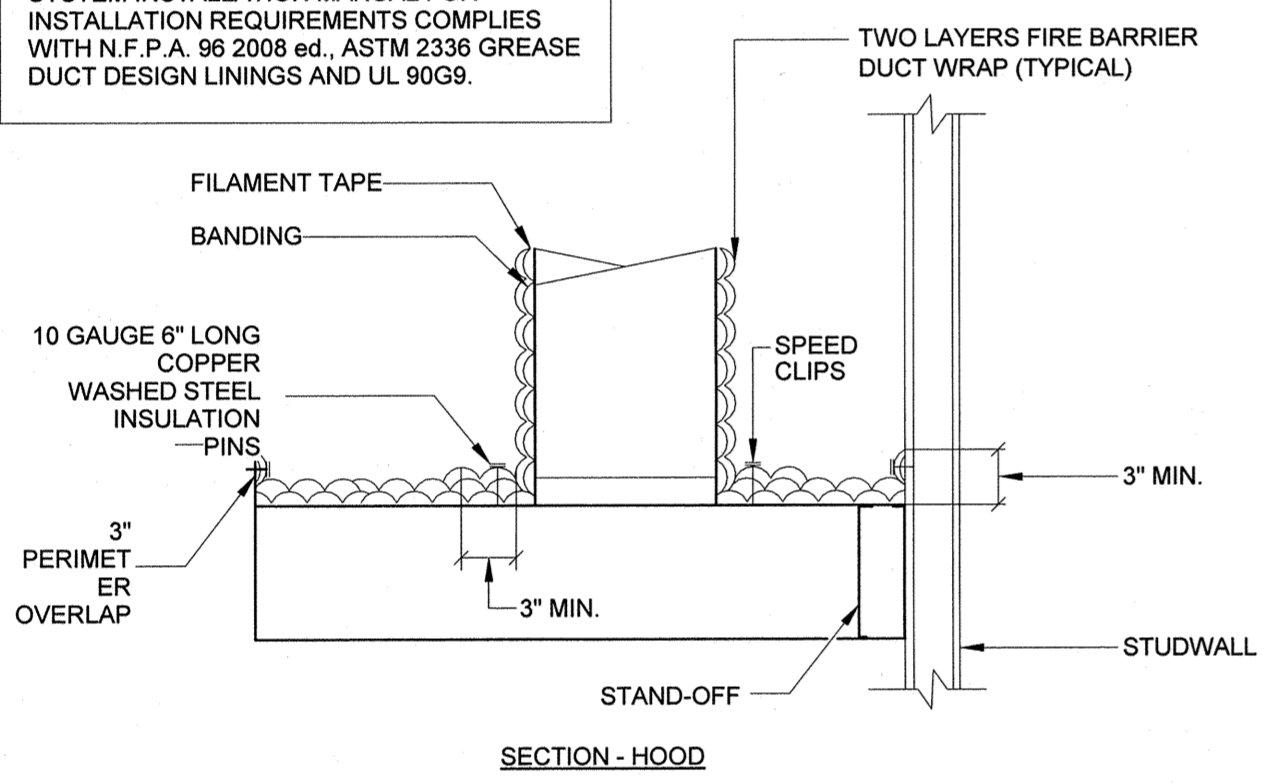
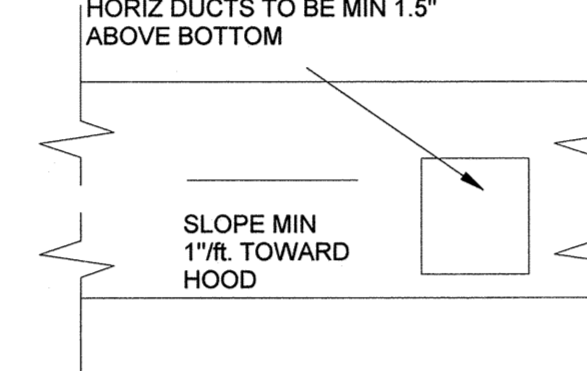
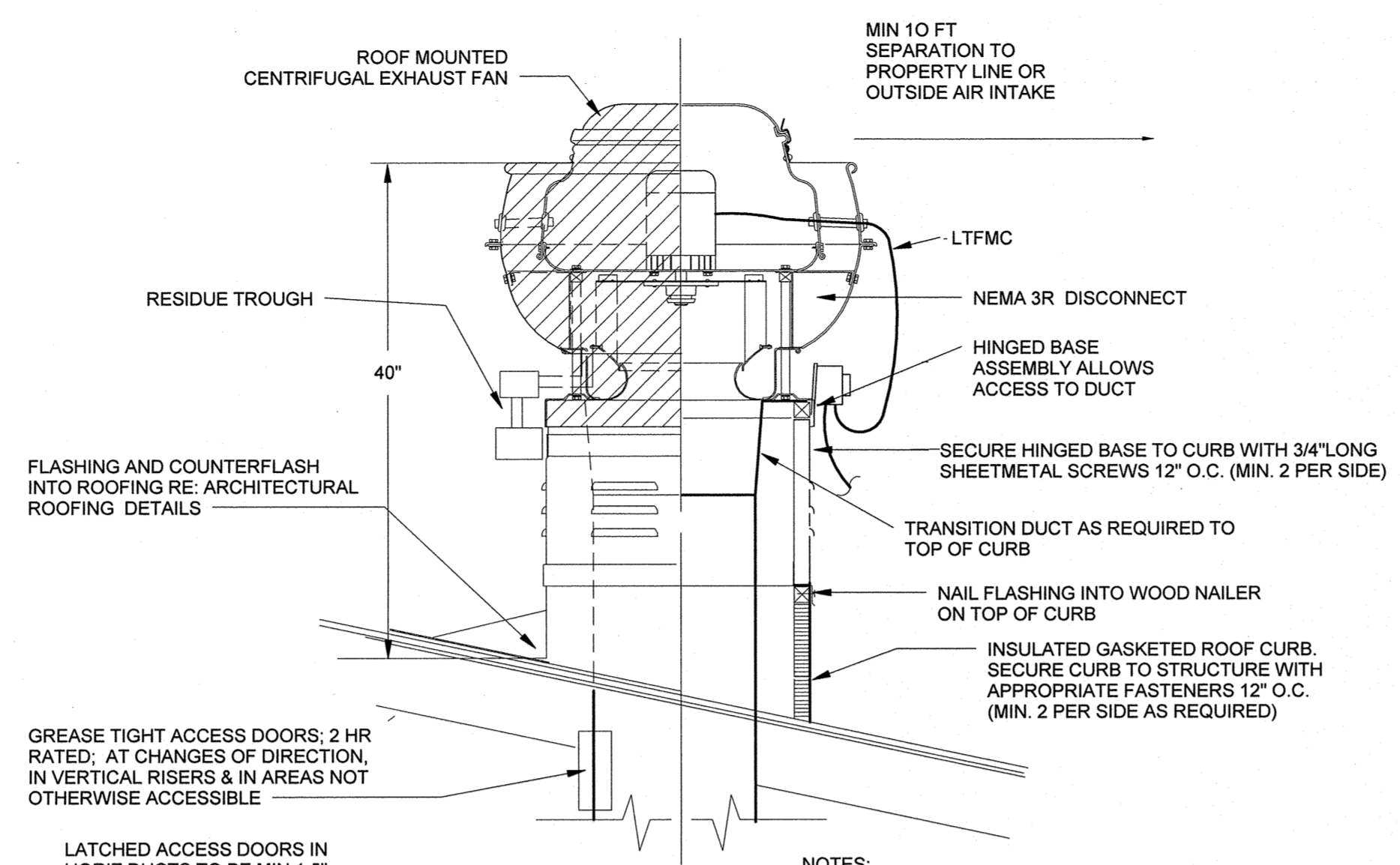


REFER TO 3M FIRE BARRIER DUCT WRAP 15A SYSTEM INSTALLATION MANUAL FOR INSTALLATION REQUIREMENTS COMPLIES WITH N.F.P.A. 96 2008 ed., ASTM 2336 GREASE DUCT DESIGN LININGS AND UL 90G9.

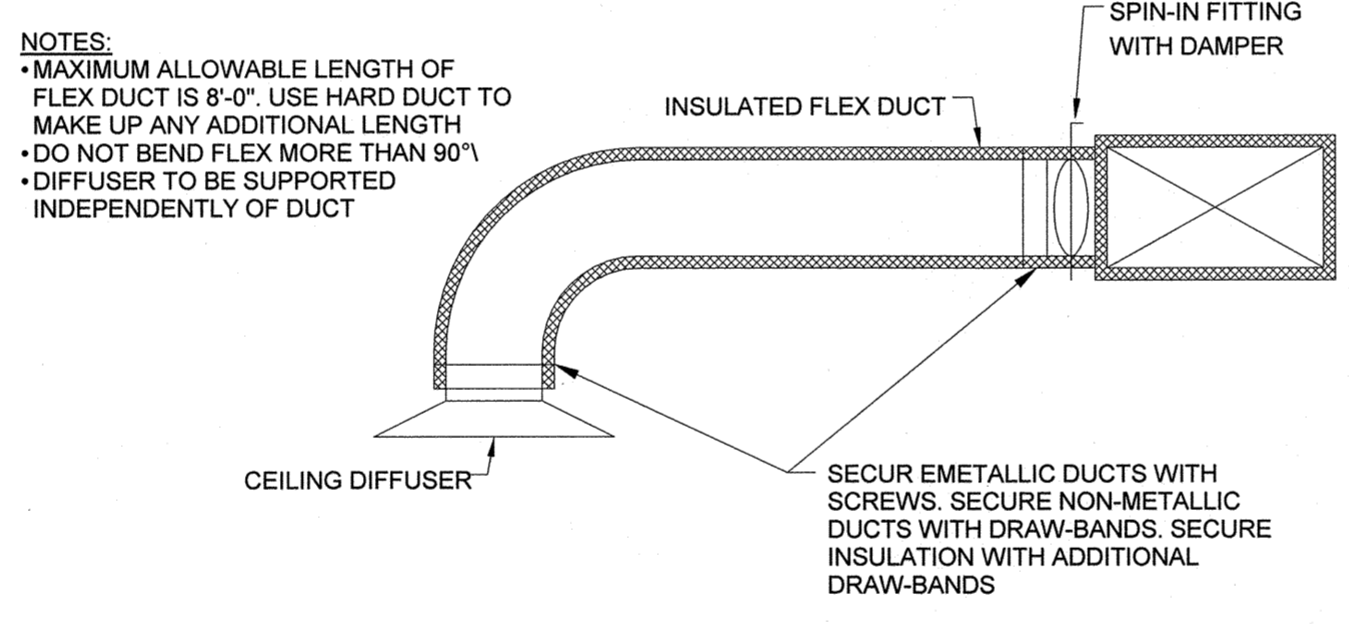


6 KITCHEN GREASE DUCT INSULATION DETAIL
12" = 1'-0"

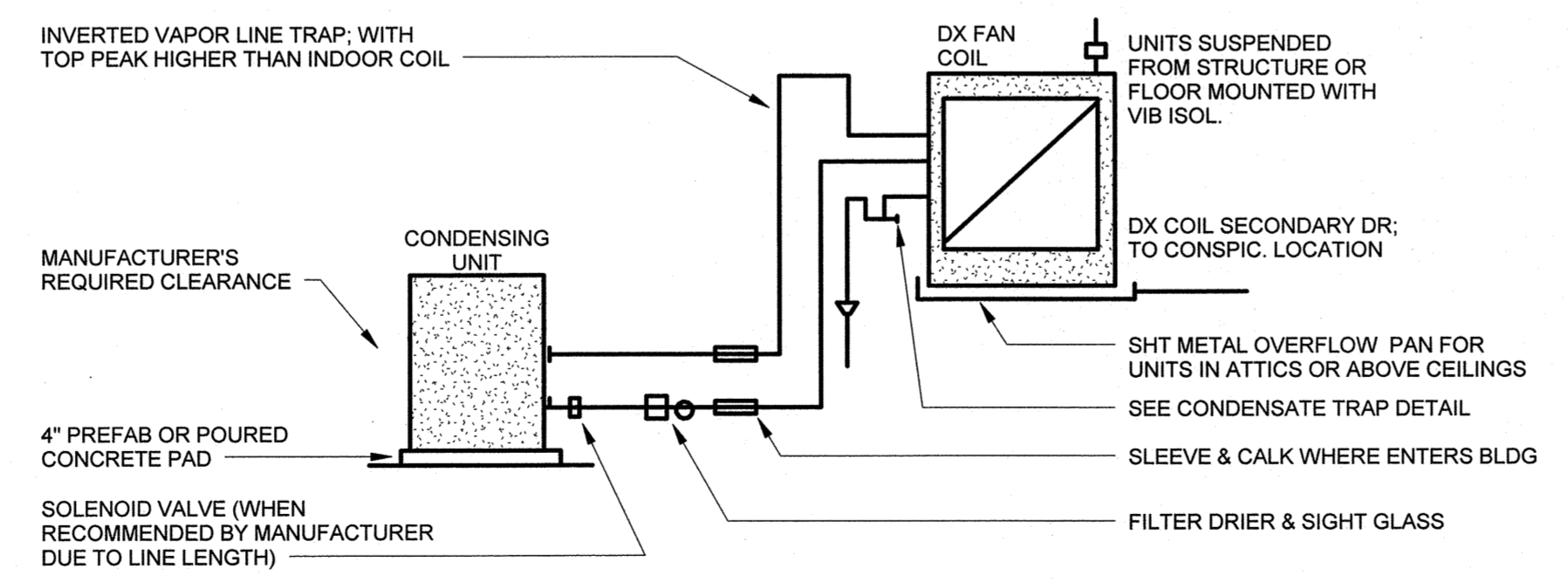


- NOTES:
1. SUPPORT DUCT AT ALL CHANGES OF DIRECTION.
2. DUCT SIZED FOR MIN 1500 FPM VELOCITY & MAX. 2500 FPM
3. USED RADIUS ELBOWS AT CHANGES OF DIRECTION.
4. RECTANGULAR WELDED GREASE DUCT AS SPECIFIED. ALTERNATE: UL LISTED PREFAB DUCT-METAL-FAB "G" SERIES OR MCGILL AIRFLOW UNI-STACK 1400 SERIES. STAINLESS STEEL INNER GREASE DUCT AND CARBON STEEL OR ALUMINIZED STEEL EXTERIOR DUCT.

7 KITCHEN EXHAUST FAN DETAIL
NOT TO SCALE

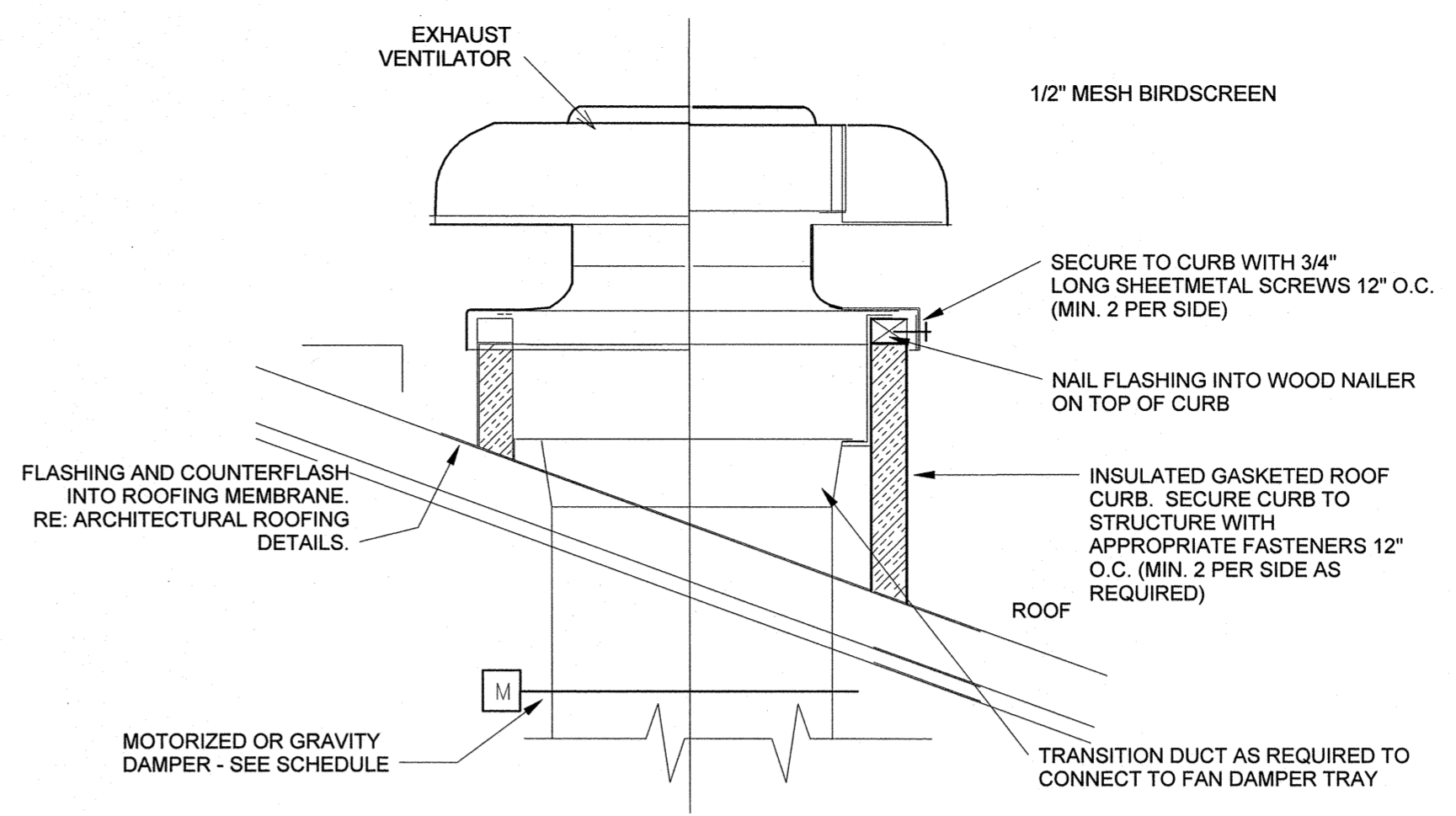


5 DIFFUSER CONNECTION
NOT TO SCALE

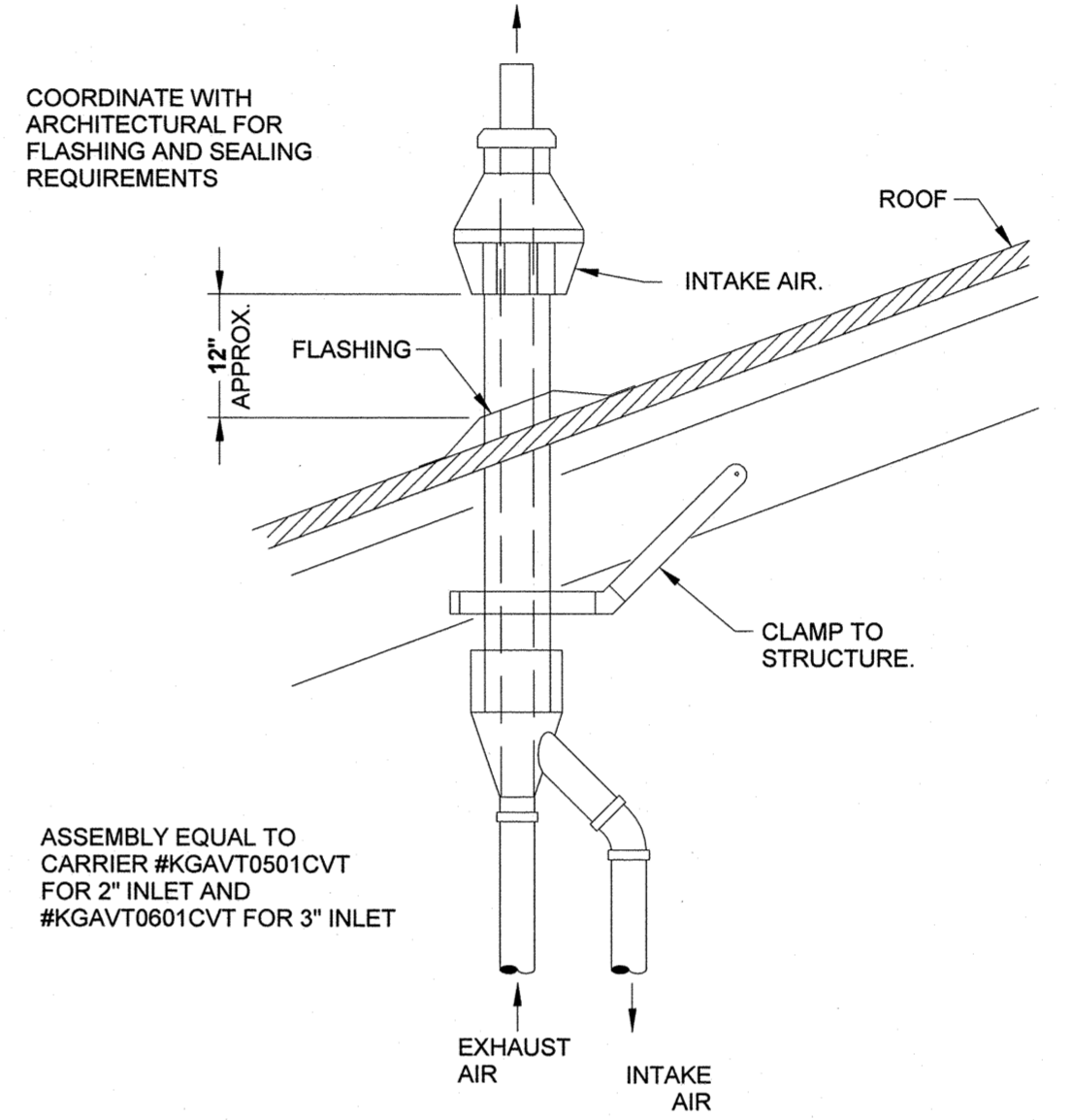


- NOTES:
1. SUCITION LINE TO INSULATED; INSULATION INSIDE BUILDING TO HAVE 25/50 FLAME/SMOKE RATING
2. HVAC CONTRACTOR RESPONSIBLE FOR LOW VOLTAGE CONTROL WIRING; ELECTRICAL CONTRACTOR PROVIDES LINE VOLTAGE WIRING & DISCONNECTS
3. SIZE REFRIG LINES AS PER MANUFACTURER
4. DUCT SUPPLY & RETURN. PROVIDE FLEX DUCT CONNECTION ON SUPPLY & RETURN DUCT (UNLESS FIBERGLASS DUCT)

4 DIRECT EXPANSION COOLING COIL AND CONDENSING UNIT
NOT TO SCALE



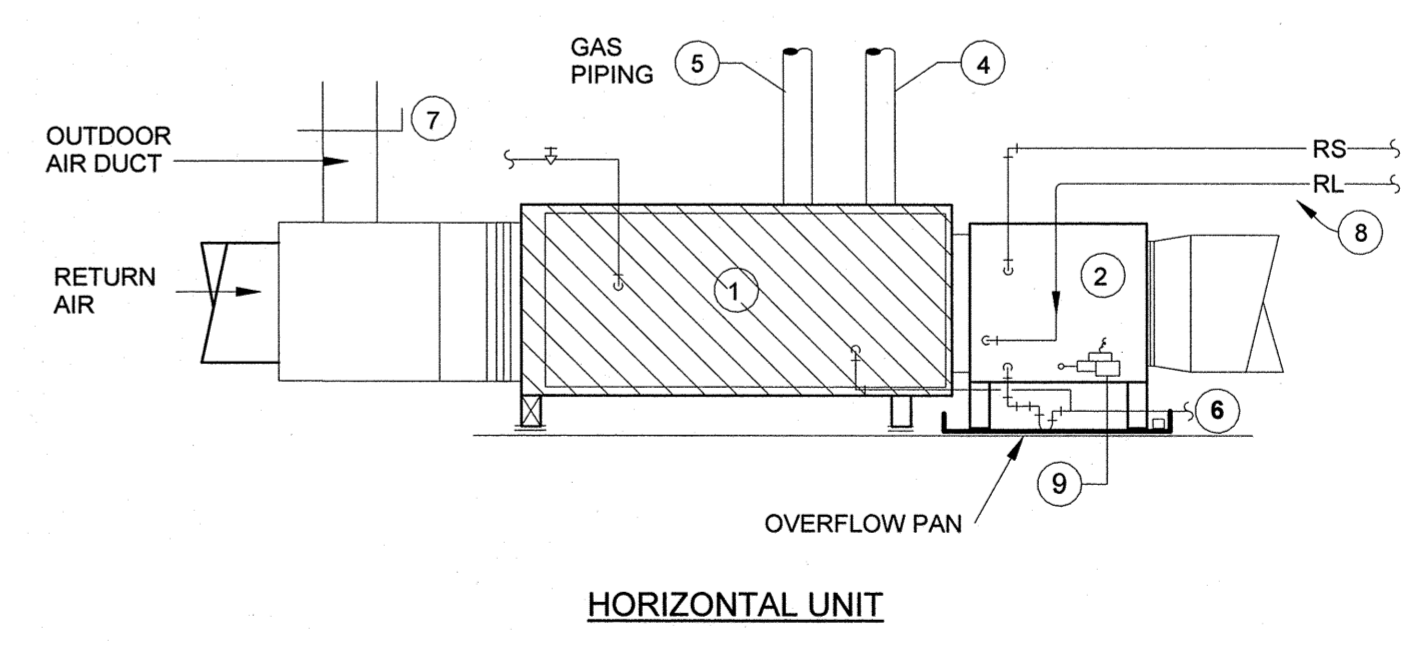
3 GRAVITY ROOF VENTILATOR DETAIL
12" = 1'-0"



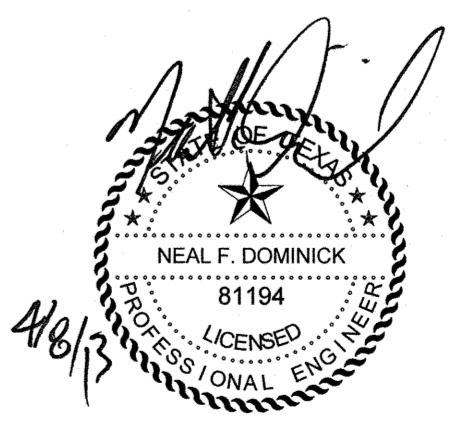
ASSEMBLY EQUAL TO CARRIER #KGAVT0501CVT FOR 2" INLET AND #KGAVT0601CVT FOR 3" INLET

2 FURNACE CONCENTRIC VENT/COMBUSTION INTAKE DETAIL
12" = 1'-0"

- 1 FURNACE.
2 COOLING COIL.
3 FLEX DUCT CONNECTION.
4 COMBUSTION AIR INTAKE PIPE.
5 EXHAUST AIR OUTLET PIPE.
6 COOLING COIL CONDENSATE DRAIN TRAP AND ROUTE TO FLOOR DRAIN.
7 OUTSIDE AIR DAMPER.
8 REFRIGERANT PIPING.
9 SECONDARY DRAIN CONNECTION - INSTALL LITTLE GIANT AC-5 OVERFLOW SAFETY SWITCH 120V ELEC.



1 FURNACE/COOLING COIL DETAIL
12" = 1'-0"



OPTIMUM CARE
SUGARLAND, TEXAS



Revision Schedule		
#	Date	Description
1	4-08-13	PERMIT, PRICING, AND CONSTRUCTION

Project No.

MECHANICAL DETAILS

Sheet No.

M4.1

REDDING LINDEN BARR
CONSULTING ENGINEERS
801 TRAVIS, SUITE 2000
HOUSTON, TEXAS 77002
PH: 713.237.5800
FAX: 713.237.5801
TEXAS REGISTERED ENGINEERING FIRM F-3113