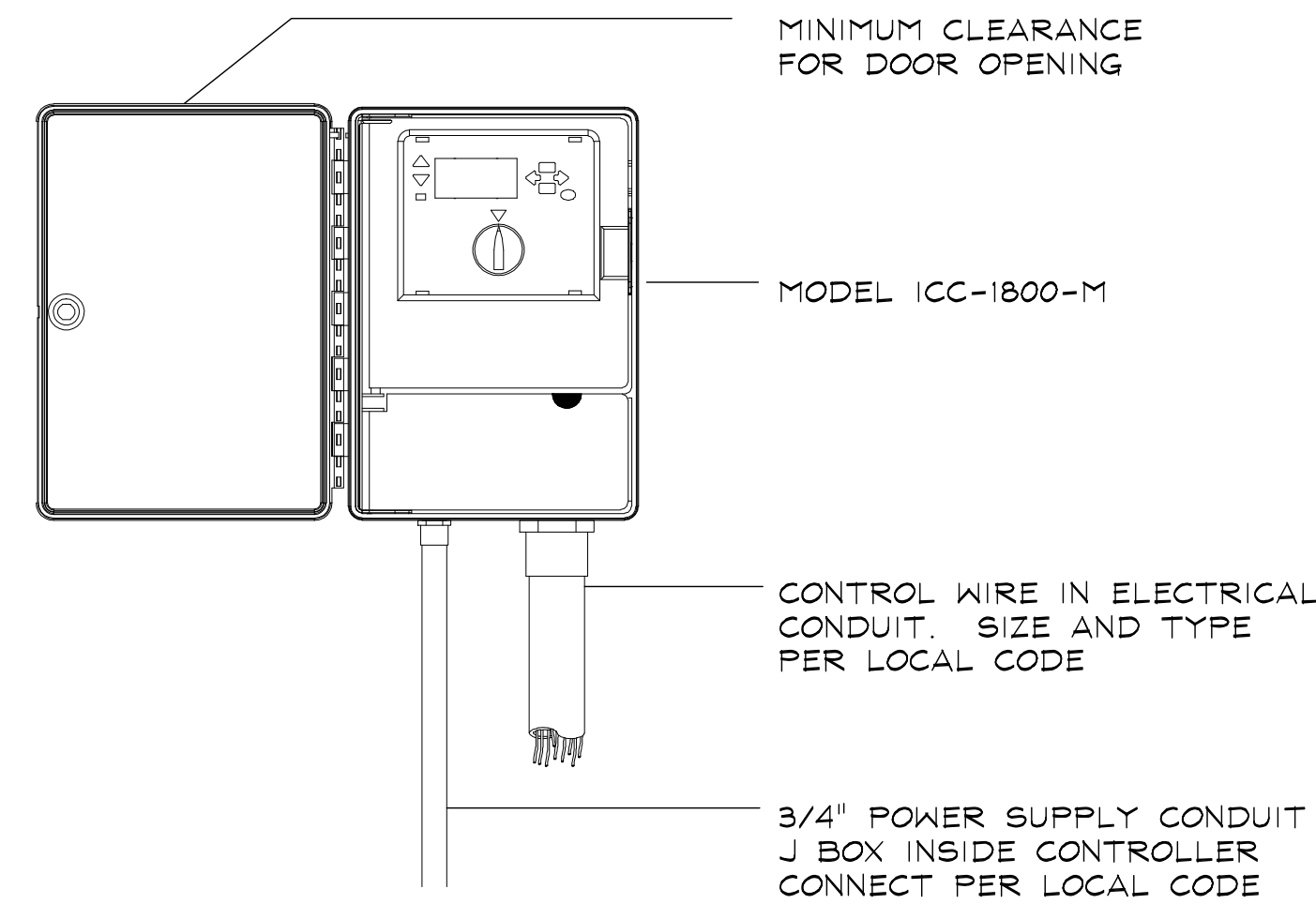
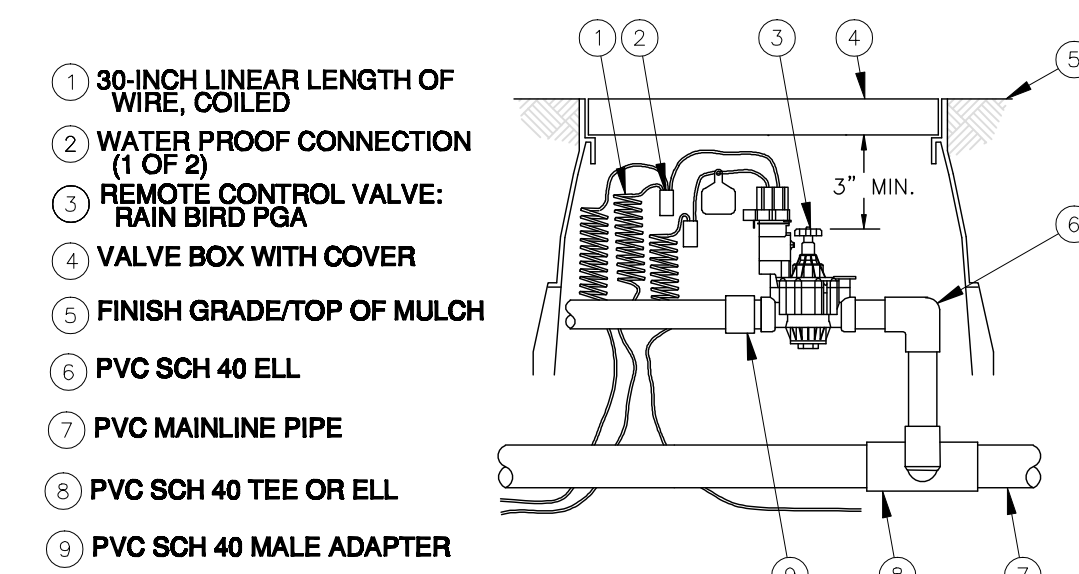


IRRIGATION NOTES:

1. THE CONTRACTOR SHALL NOTIFY PERTINENT UTILITY COMPANIES 48 HOURS PRIOR TO CONSTRUCTION FOR CURRENT UTILITY LOCATIONS. EXTREME CARE SHALL BE EXERCISED IN EXCAVATING AND WORKING NEAR EXISTING UTILITIES. CONTRACTOR SHALL VERIFY THE LOCATION AND CONDITION OF UTILITIES AND BE RESPONSIBLE FOR DAMAGE TO UTILITIES.
2. THE CONTRACTOR SHALL AT ALL TIMES PROTECT HIS WORK FROM DAMAGE AND THEFT, AND REPLACE ALL DAMAGED OR STOLEN PARTS UNTIL THE WORK IS ACCEPTED IN WRITING BY OWNER.
3. THE CONTRACTOR SHALL NOT WILLFULLY INSTALL THE SPRINKLER SYSTEM AS SHOWN ON THE DRAWINGS WHEN IT IS OBVIOUS IN THE FIELD THAT OBSTRUCTIONS, GRADE DIFFERENCES OR DIFFERENCES IN THE AREA'S DIMENSIONS EXIST THAT MIGHT NOT HAVE BEEN IN THE DESIGN. SUCH OBSTRUCTIONS OR DIFFERENCES SHALL BE BROUGHT TO THE ATTENTION OF THE LANDSCAPE ARCHITECT. IN THE EVENT THIS NOTIFICATION IS NOT PERFORMED, THE IRRIGATION CONTRACTOR SHALL ASSUME FULL RESPONSIBILITY FOR ANY REVISIONS NECESSARY.
4. THE CONTRACTOR SHALL CLEARLY MARK EXPOSED EXCAVATIONS AND MATERIALS AND EQUIPMENT. COVER OR BARRICADE TRENCHES WHEN CONTRACTOR IS NOT ON SITE.
5. FOR PURPOSES OF CLARITY, SOME IRRIGATION LINES AND VALVES MAY BE SHOWN OUTSIDE OF PROPERTY OR IN PAVED AREAS. LOCATE ALL LINES AND VALVES IN PLANTING AREA UNLESS OTHERWISE NOTED.
6. ADJUST ARC OF IRRIGATION HEADS FOR EVEN COVERAGE. HEAD LAYOUT SHALL BE AS PER PLANS.
7. AVOID EXISTING OR FUTURE LOCATION OF TREE BALLS WHEN LAYING PIPE.
8. THE CONTRACTOR SHALL STAKE CONTROLLER AND BACKFLOW PREVENTER LOCATIONS FOR APPROVAL BY LANDSCAPE ARCHITECT OR OWNER'S REPRESENTATIVE PRIOR TO THEIR INSTALLATION.
9. PATCH AND REPAIR ANY AND ALL DAMAGE DONE TO EXISTING PLANT MATERIAL AND GRADING DURING INSTALLATION OF THIS WORK.
10. CONTRACTOR SHALL PROVIDE ORIGINAL AND 2 COPIES OF DOUBLE CHECK ASSEMBLY CERTIFICATION TO THE OWNER AT COMPLETION OF PROJECT.
11. IRRIGATION CYCLES SHALL BE SET TO TAKE PLACE PRIOR TO SUNRISE AND NOT TO INTERFERE WITH BUSINESS UNLESS OTHERWISE INSTRUCTED BY THE OWNER, EXCEPT DURING VISITS OF GROUNDS MAINTENANCE PERSONNEL DURING SUCH VISITS THE IRRIGATION SYSTEM MAY BE OPERATED AS DESIRED BY THOSE PERSONNEL.
12. DO NOT PROGRAM CONTROLLERS OPERATING ON THE SAME WATER METER TO WATER DURING THE SAME TIME PERIOD SO AS TO PREVENT OVER-DRAFT OF WATER METERS. DO NOT SWITCH CONTROLLER TO "OFF" AT ANY TIME, EXCEPT AS REQUIRED FOR TESTING AND FOR MAINTENANCE OPERATIONS.
13. COMPLETE SPRINKLER SYSTEM SERVICING SHALL BE PERFORMED AS REQUIRED TO MAINTAIN SPRINKLERS IN CORRECT OPERATING CONDITION INCLUDING ALL REQUIRED LABOR. CHECK SHALL INCLUDE VISUAL INSPECTION OF ALL ACCESSIBLE COMPONENTS OF THE IRRIGATION SYSTEM INCLUDING BUT NOT LIMITED TO CONTROLLERS, REMOTE CONTROL VALVES, QUICK COUPLERS, AND HEADS.
14. ADJUST THE SPRINKLERS TO AVOID DAMAGE TO WINDOWS, BUILDING AND SIGN WALLS ALSO ADJUST HEADS TO KEEP WATER OFF THE STREET. MAKE REPAIRS AND ALTERATIONS TO THE SPRINKLING SYSTEM AND WATER LINES. ALL SPRINKLER REPAIRS SUCH AS CLEANING OF HEADS OR BREAKS CAUSED BY THE CONTRACTOR SHALL BE THE CONTRACTOR'S RESPONSIBILITY.
15. THE DISTRICT MUST BE NOTIFIED TO DO A VISUAL INSPECTION OF THE PIPE AND FITTINGS FROM THE METER TO ALL THE CONTROL VALVES BEFORE THE LINES ARE COVERED.

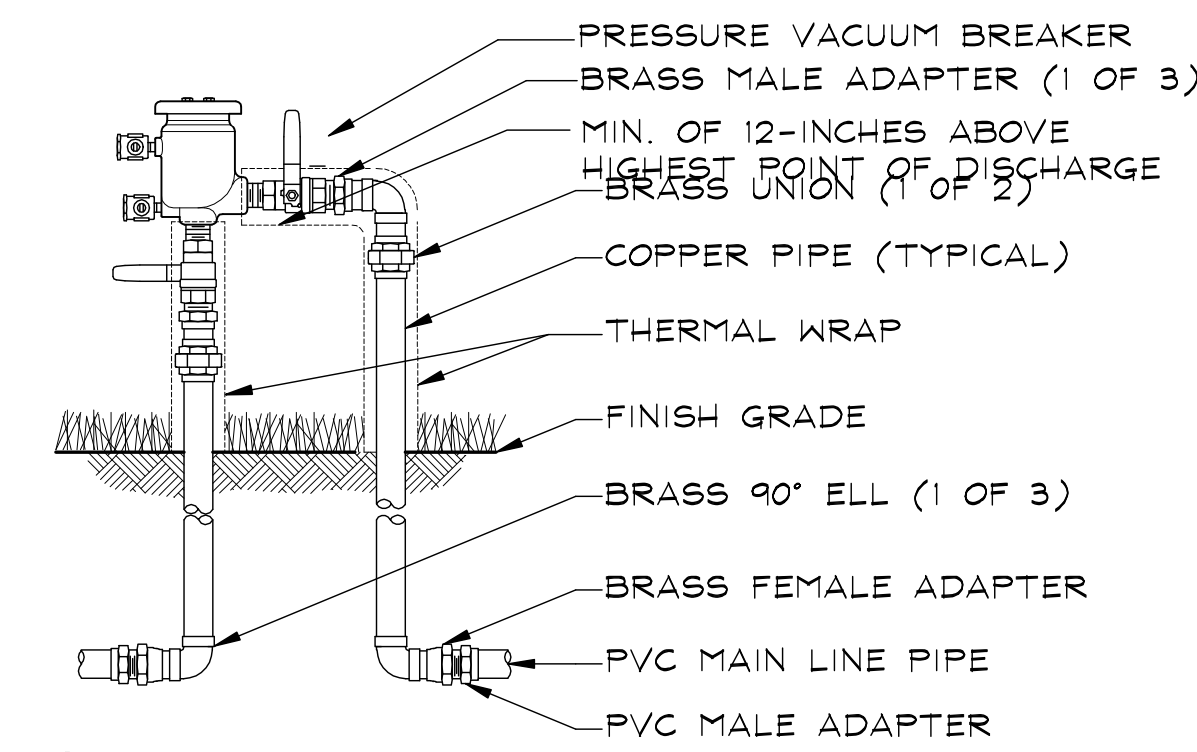


(H) - HUNTER ICC CONTROLLER



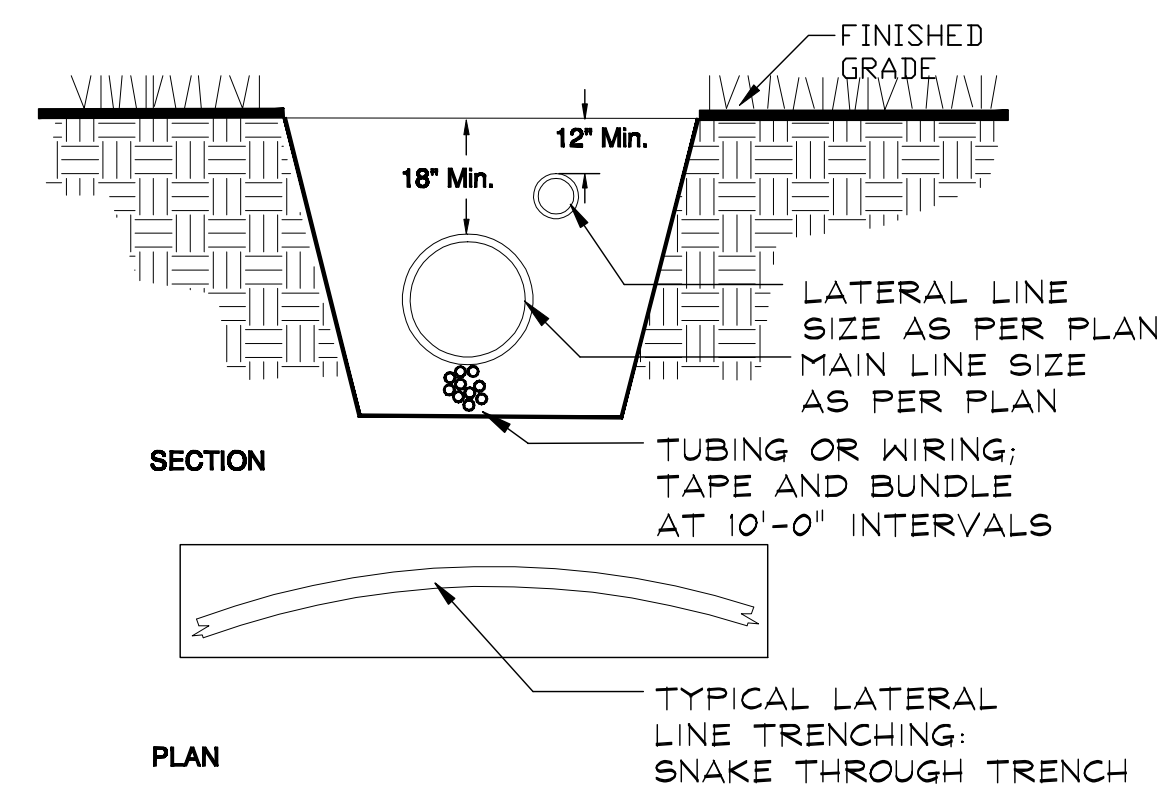
Rainbird Control Valve

(G) - IRRIGATION CONTROL VALVE

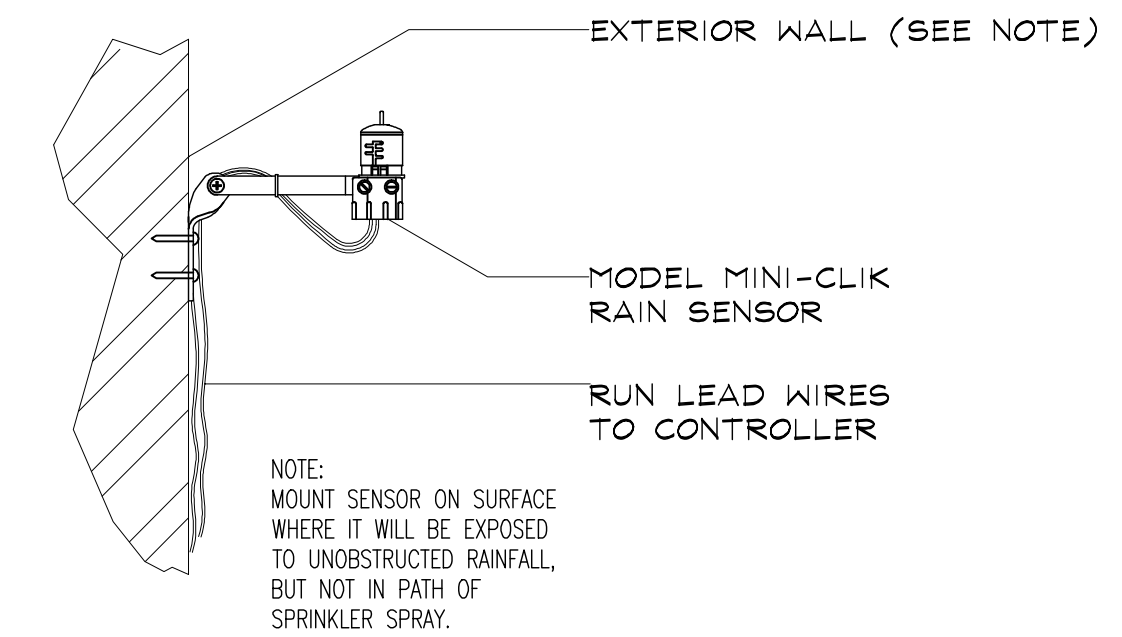


NOTE:
 1. INSTALL BACK FLOW PREVENTER AS REQUIRED BY LOCAL CODES AND HEALTH DEPARTMENT. VERIFY LOCAL REQUIREMENTS PRIOR TO INSTALLATION. DOUBLE CHECK VALVE ASSEMBLY MAY BE REQUIRED

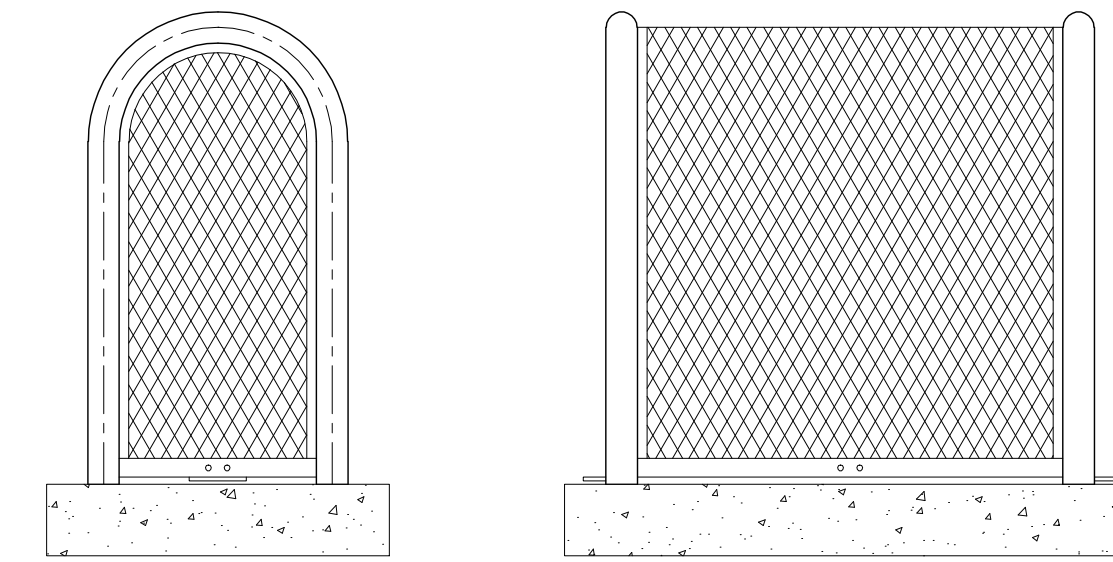
(F) - FEBCO #765 PVB (PRESSURE VACUUM BREAKER)



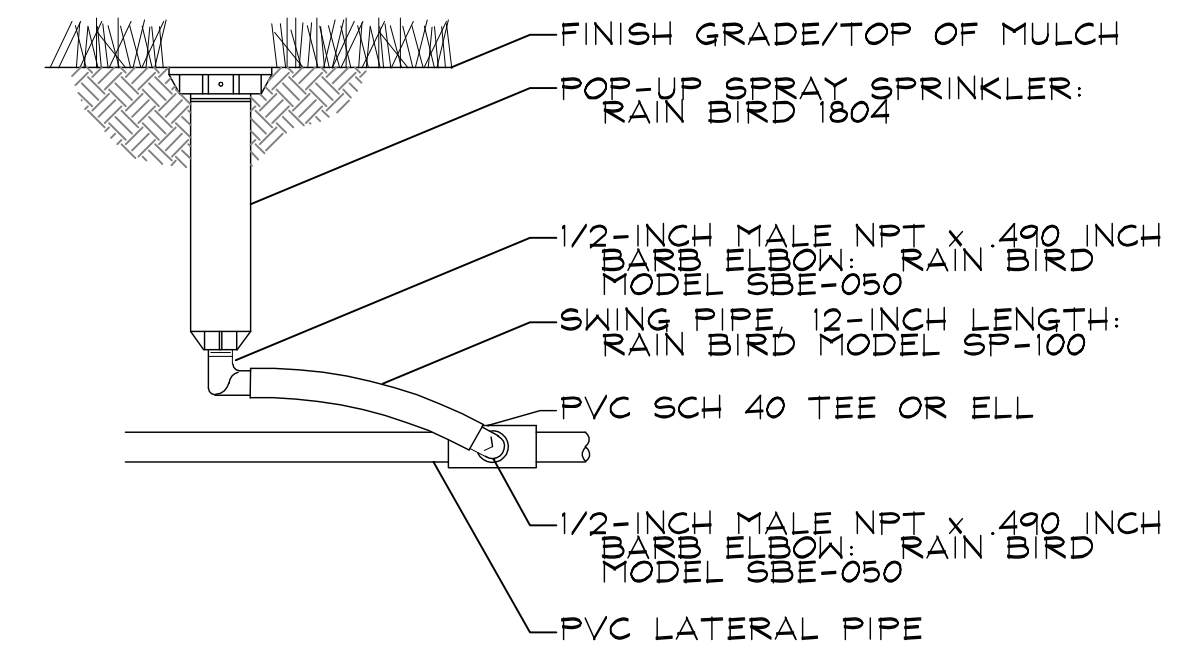
(E) - TRENCH DETAIL



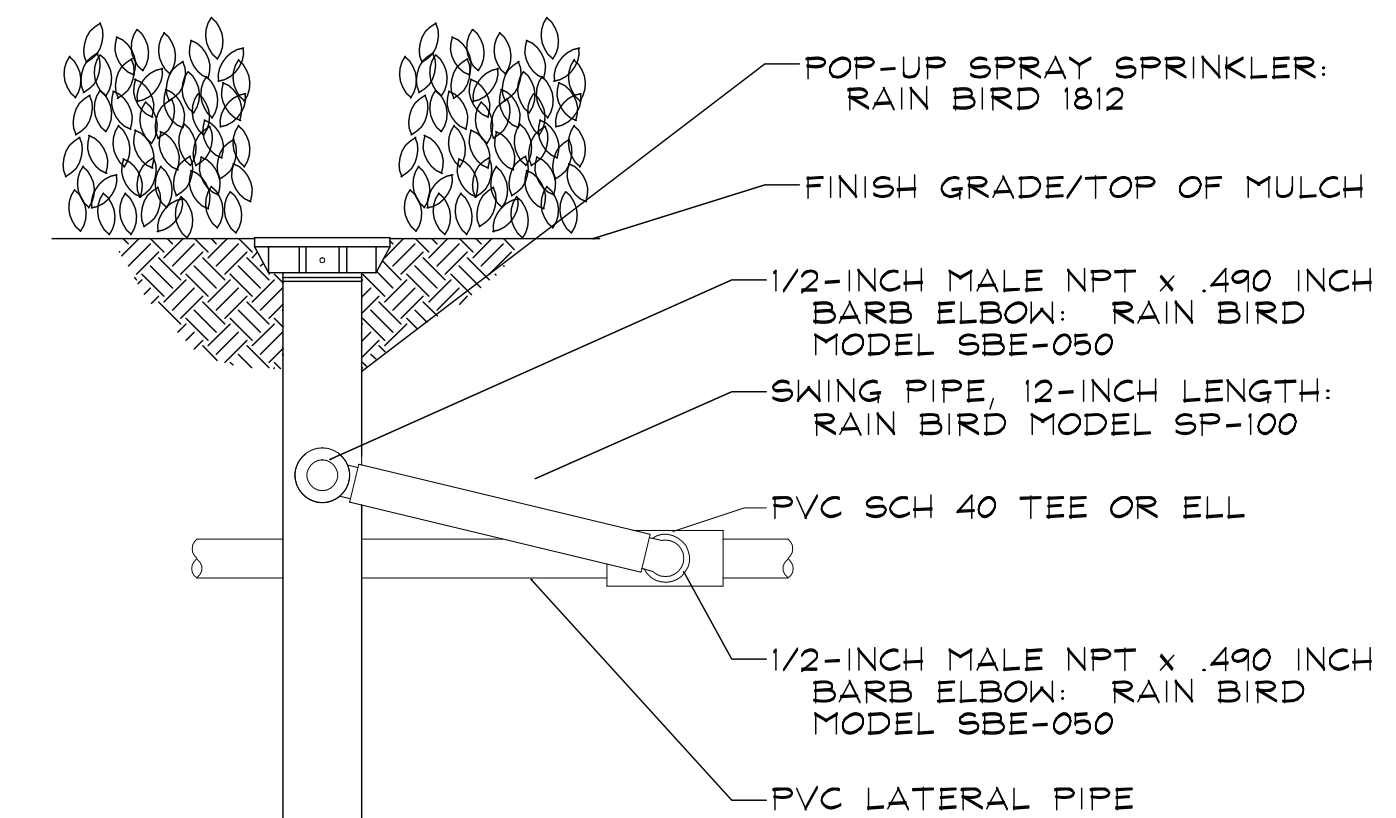
(D) - HUNTER MINI-CLIK RAIN SENSOR



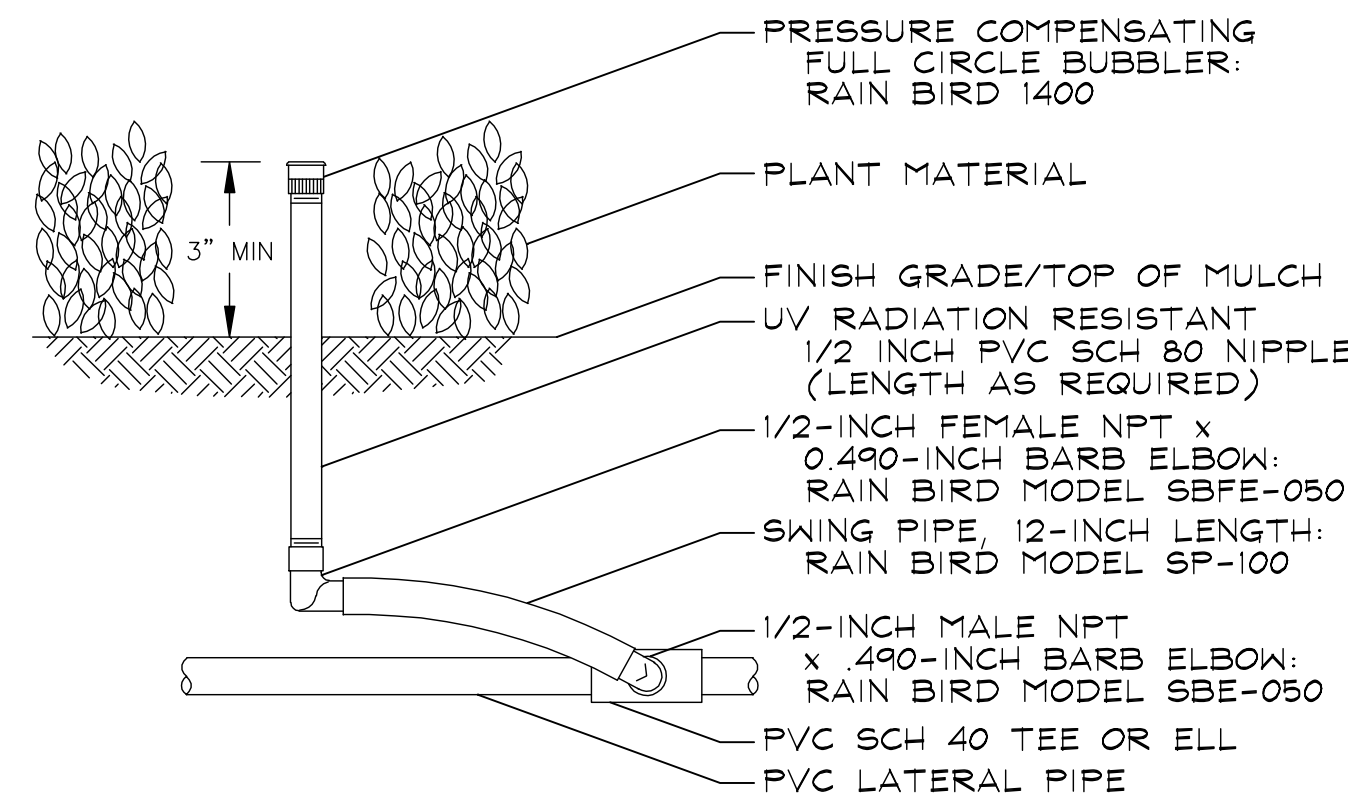
(C) - BACKFLOW ENCLOSURE GUARDSHACK



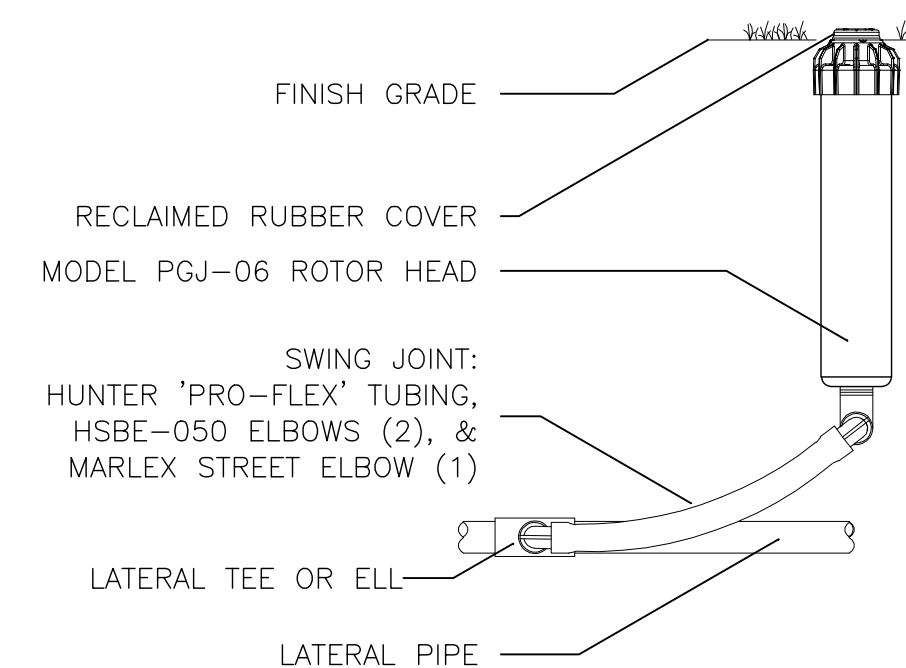
(B) - 4" POP-UP SPRAY



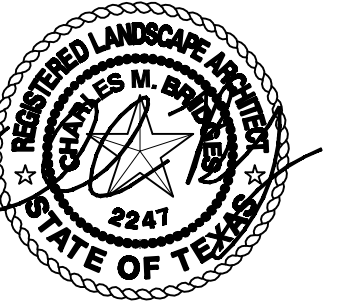
(A) - 12" POP-UP SPRAY



(I) - BUBBLER - RAIN BIRD 1404



(H) - PGJ ROTOR



Job No.:

Scale: 1" = 20' - 0"

April 18, 2013

Revised: